

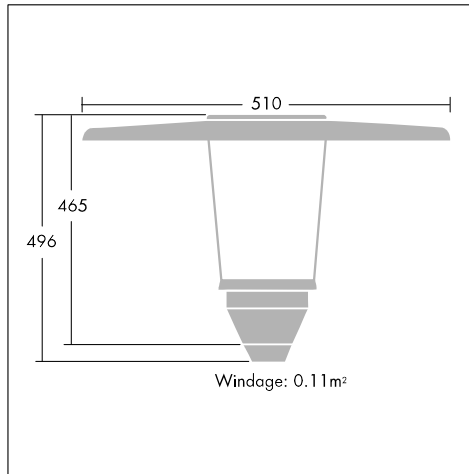
Gamma Basique

A 'best value' classic post-top amenity lantern range

- Ideal for precincts, car parks, approach roads and pedestrian areas
- Choice of lamps including 'white light' options to suit differing applications
- Small or large canopy to suit given environment
- Vandal resistant version for high risk areas - delivered fully assembled. 40 joules impact resistance



Photographs, line drawings and photometric data are representative only. For specific product detail please select an individual product.



Material/Finish

Bowl/Diffuser: Injection moulded 5 joules acrylic (vandal proof version - Polycarbonate) Opal reeded or clear reeded finish (vandal proof version - clear reeded only) Base: Die-cast aluminium, dark grey powder coat textured finish Canopy: Spun aluminium, dark grey powder coat finish with white underside.

Column: 3,20 m galvanised steel column, flange type.
or 5 m steel column, rooted type.

Installation/Mounting

Post top mounting 76 mm diameter x 76 mm long spigot and dedicated accessory available to allow 60mm diameter x 100 long spigot mounting. Recommended mounting height: 4 to 5 metres. Fixes to shaft with 3 x M8 stainless steel screws (supplied). Vandal proof version supplied fully assembled, complete with clear reeded bowl and small canopy.

Gamma Basique

Ordering Guide For complete fitting order base, bowl, canopy and accessory (if required). Lamp to be ordered separately.

Description	ILCOS Code	Socket	Wt (kg)	SAP Code
Vandal proof				
GAMMA B 70W HST/HIT CAP/S ECL/RE VR	ST	E27	5,1	96012000
Base with Gears				
GAMMA B GT 70W 240V HST/HIT-CE	ST	E27	3,44	96008280
GAMMA D 100W HST 240V	ST	E40	3,86	96008287
GAMMA B 70W HST/HIT	ST/MT	E27	4,055	96008583
Canopies				
GAMMA B CAP/S			0,81	96008286
GAMMA B CAP/S PN			0,906	96008270
GAMMA B CAP/S PM			0,942	96008277
GAMMA B CAP/L			1,385	96008288
GAMMA B CAP/S PN 35W LST			0,75	96008275
GAMMA B CAP/L PM			6	96008292