

Forrester



Decorative Post Top

The Forrester pole top with rotationally symmetrical light distribution provide a wide spread suitable for pole heights of 2500-5000 mm. The Forrester is ideal for lighting private and public areas, hotel, parks, gardens, pedestrian precincts and driveways.



Luminaire Construction

- Corrosion resistant die cast LM6 Marine grade aluminium alloy base and canopy
- Stainless steel screws
- Ultraviolet stabilised opal white polyethylene diffuser
- Weatherproof and durable silicon rubber gasket
- Ultraviolet stabilised polyester powder coat finish in Black RAL 9005 FI as standard

Features

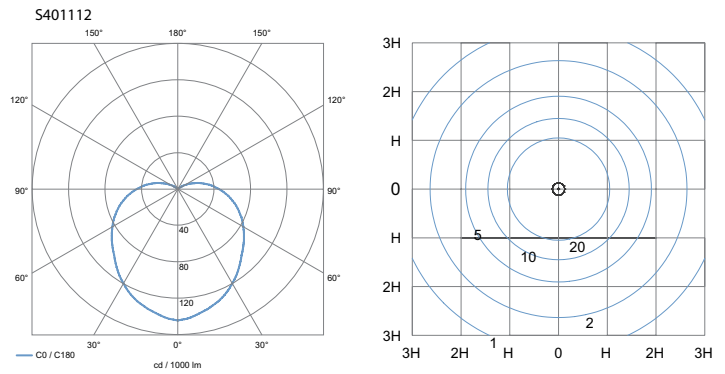
- Vandal resistant
- Integral control gear
- To suit spigot 60mm diameter and a minimum 150mm length
- Timed ignitor standard for Metal Halide versions

Applications



S401112
H = 4.5m

| H | Multiplier |
|-----|------------|
| 4.0 | 1.27 |
| 4.5 | 1.00 |
| 5.0 | 0.81 |



| CODE | DESCRIPTION | TYPE | BASE | LAMP | WEIGHT |
|---------|---------------------|----------------------|---------|----------------|--------|
| S401115 | FORRESTER 42W CF | Compact Fluorescent | GX24q-4 | LYNX-CFTE/42W | 5.6kg |
| S401105 | FORRESTER 50W HPS | High Pressure Sodium | E27 | SHP50/CO/I | 6.4kg |
| S401106 | FORRESTER 2X50W HPS | High Pressure Sodium | E27 | 2 X SHP50/CO/I | 7.9kg |
| S401107 | FORRESTER 70W HPS | High Pressure Sodium | E27 | SHP70/CO/I | 6.5kg |
| S401108 | FORRESTER 2X70W HPS | High Pressure Sodium | E27 | 2 X SHP70/CO/I | 8.2kg |
| S401109 | FORRESTER 150W HPS | High Pressure Sodium | E39 | SHP150 | 7.1kg |
| S401110 | FORRESTER 70W MH | Metal Halide | E27 | MP70/CO/U | 6.6kg |
| S401111 | FORRESTER 100W MH | Metal Halide | E27 | MP100/CO/U | 6.8kg |
| S401112 | FORRESTER 150W MH | Metal Halide | E27 | MP150/CO/U | 7.3kg |

Options Available:



For relevant start and run currents, please refer to SLA website.

