



The original!

PL-S 2 Pin

PL-S is an efficient low-wattage compact fluorescent lamp, typically used for decorative and orientation purposes. The original Philips-invented bridge technology guarantees optimum performance in the application, enabling more light and higher efficacy than the bended technology. The 2-pin version is designed for operation on electromagnetic gear and is provided with a plug-in/pull-out lamp base.

Benefits

- Optimal light performance for short or long operation per switch on
- Long life and sustainable light output

Features

- 2-pin base with a housing incorporating the special instant starter and capacitor . For use on conventional copper iron ballasts and the radio interference suppression capacitor is installed. Dimming is not possible
- Lamp characteristics are influenced by operating conditions and control gear used

Application

- Designed for use in hotels, restaurants, theatres and homes
- Suitable for use in signs, corridors, security and orientation lighting

Related products



11W, G23, 2P



13W, GX23, 2P

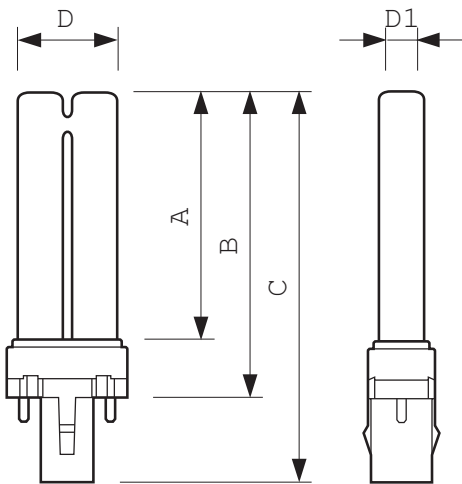


7W, G23, 2P



9W, G23, 2P

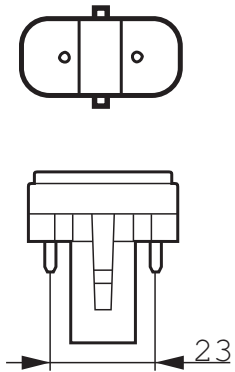
Dimensional drawing



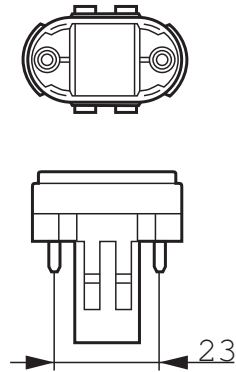
G23/GX23, 2P

Product	C (Max)	D (Max)	D1 (Max)
PL-S 7W/827/2P	135.0	27.1	13
PL-S 7W/827/2P	135.0	27.1	13
PL-S 7W/840/2P	135.0	27.1	13
PL-S 7W/840/2P	135.0	27.1	13
PL-S 7W/865/2P	135.0	27.1	13
PL-S 7W/865/2P	135.0	27.1	13
PL-S 9W/827/2P	167.0	27.1	13
PL-S 9W/827/2P	167.0	27.1	13
PL-S 9W/840/2P	167.0	27.1	13
PL-S 9W/840/2P	167.0	27.1	13
PL-S 9W/865/2P	167.0	27.1	13
PL-S 9W/865/2P	167.0	27.1	13
PL-S 11W/827/2P	235.8	27.1	13
PL-S 11W/827/2P	235.8	27.1	13
PL-S 11W/840/2P	235.8	27.1	13
PL-S 11W/840/2P	235.8	27.1	13
PL-S 11W/865/2P	235.8	27.1	13
PL-S 11W/865/2P	235.8	27.1	13
PL-S 13W/827/2P	177.7	27.1	10
PL-S 13W/840/2P	177.7	27.1	13
PL-S 13W/865/2P	177.7	27.1	13

Installation diagrams



G23



GX23



© 2011 Koninklijke Philips Electronics N.V.
All rights reserved.

Specifications are subject to change without notice. Trademarks are the property of Koninklijke Philips Electronics N.V. or their respective owners.

www.philips.com/lighting

2011, November 12
data subject to change