

SPEC #	WATTAGE	CATALOG #
<b>PULSE START METAL HALIDE</b>		
	150W PSMH	FS4615-(a)(b)
	200W PSMH	FS4620-(a)(b)
	250W PSMH	FS4625-(a)(b)
	320W PSMH	FS4632-(a)(b)
	350W PSMH	FS4635-(a)(b)
	400W PSMH	FS4640-(a)(b)
<b>METAL HALIDE</b>		
	175W MH	FS4417-(a)(b)
	250W MH	FS4425-(a)(b)
	400W MH	FS4440-(a)(b)
<b>HIGH PRESSURE SODIUM</b>		
	250W HPS	FS4525-(a)(b)
	400W HPS	FS4540-(a)(b)

Specify (a) Voltage & (b) Options.

(a) VOLTAGE SUFFIX KEY	
<b>M</b>	120/208/240/277V (Standard)
<b>T</b>	120/277/347V (Canada Only) (Standard)
<b>1</b>	120V
<b>2</b>	277V
<b>27</b>	277V Reactor (PSMH Only)
<b>3</b>	208V
<b>4</b>	240V
<b>5</b>	480V
<b>6</b>	347V (Canada Only)

For voltage availability outside the US and Canada, see Bulletin TD-9 or contact your Ruud Lighting authorized International Distributor.

(b) OPTIONS (factory-installed)	
<b>-(a)F</b>	Fusing
<b>-(a)P</b>	Button Photocell
<b>-5P</b>	External Photocell (for 480V)
<b>Q</b>	Quartz Standby (includes 100W quartz lamp) (N/A on 277V Reactor)
<b>U</b>	Uplight Lens Frame

Specify (a) Single Voltage — See Voltage Suffix Key

### GENERAL DESCRIPTION

Floodlight luminaire for HID lamp, totally enclosed. Housing is seamless, die-cast aluminum. Yoke mounting is a hinged steel bracket, measuring 5" (127 mm) wide by 2.5" (64 mm) high, which allows vertical tilt of fixture and double locks in 5° increments from 0° to 90° above horizontal. Bracket attaches to housing with two 5/16" stainless-steel bolts. Bracket bolts are supplied with sealing washer to prevent water leakage. A 36" (914 mm) flexible cord is provided for electrical connection. Lens assembly consists of rigid aluminum frame and high-impact, clear-tempered glass.

### PATENTS

US 4,689,729

### ELECTRICAL

Fixture includes clear, mogul-base lamp. Pulse-rated porcelain enclosed, 4kv-rated screw-shell-type lampholder with spring-loaded center contact. Lamp ignitor included where required. All ballast assemblies are high-power factor and use the following circuit type:

*Reactor* (277V PSMH)  
150 – 400W PSMH

*CWA* — *Constant Wattage Autotransformer*  
150 – 400W PSMH; 175W – 400W MH;  
250 – 400W HPS

### LABELS

ANSI lamp wattage label supplied, visible during relamping. UL Listed in US and Canada for wet locations and enclosure classified IP65 per IEC 529 and IEC 598.

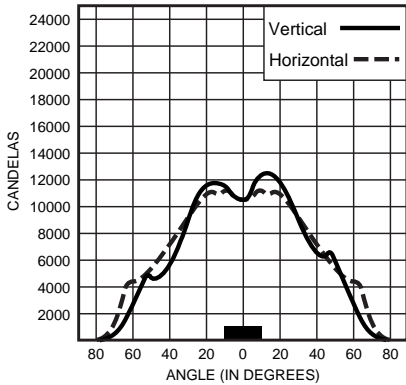
### FINISH

Exclusive Colorfast DeltaGuard® finish features an E-coat epoxy primer with medium bronze ultra-durable powder topcoat, providing excellent resistance to corrosion, ultraviolet degradation and abrasion. The finish is covered by our seven-year limited warranty.

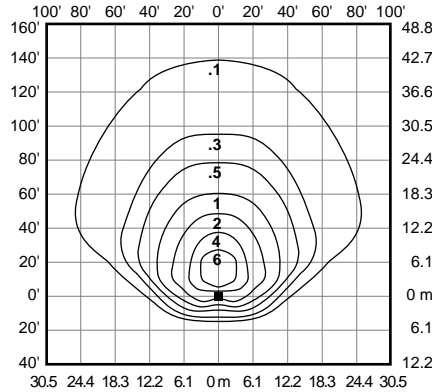
### ACCESSORIES

<b>DB-16</b>	Deep Baffle
<b>FWG-16</b>	Wire Guard
<b>GS-16</b>	Glare Shield
<b>LS-16</b>	Polycarbonate Vandal Shield (not for use with fixtures in upright position)

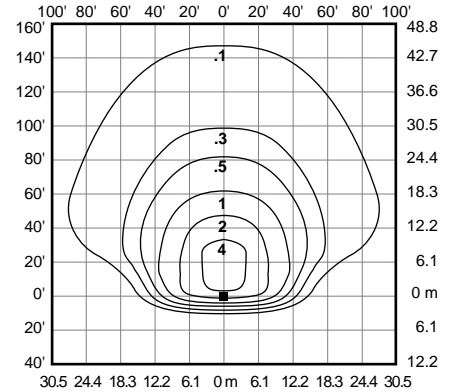
Isofootcandle plots show initial footcandles at grade. (Footcandles ÷ 0.0929 = Lux)



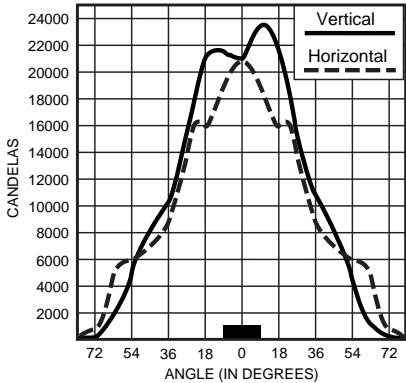
Lighting Sciences Inc.  
Certified Test Report No. LSI 5303  
Candlepower trace through origin of  
400W MH Standard Floodlight.  
NEMA Type: 7V x 7H.



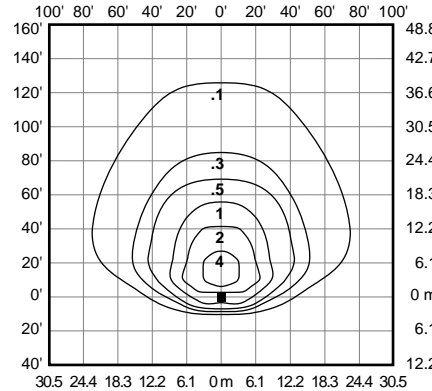
Isofootcandle plot of 250W MH Standard  
Floodlight at 25' (7.6 m) mounting height  
and 60° vertical tilt. (Plan view)



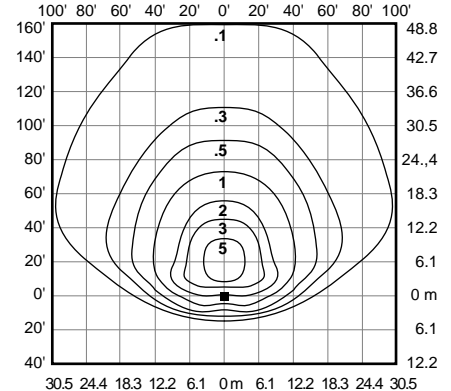
Isofootcandle plot of 400W MH Standard  
Floodlight at 30' (9.1 m) mounting height  
and 60° vertical tilt. (Plan view)



Lighting Sciences Inc.  
Certified Test Report No. LSI 9664  
Candlepower trace through origin of  
400W HPS Standard Floodlight.  
NEMA Type: 6V x 7H.

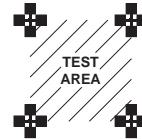


Isofootcandle plot of 250W HPS Standard  
Floodlight at 25' (7.6 m) mounting height  
and 60° vertical tilt. (Plan view)



Isofootcandle plot of 400W HPS Standard  
Floodlight at 30' (9.1 m) mounting height  
and 60° vertical tilt. (Plan view)

**Pole-spacing Example Data**



Test area is centered within a (16) pole layout.

**Average Initial Light Levels at Grade  
4 Fixtures per pole**

(Footcandles ÷ 0.0929 = Lux)

Catalog #	Lamp Type	Lamp Lumens	Mounting Height	Max. Recommended Pole-spacing	Footcandles	Lux
FS4417-M	175W MH	14,000	15' (4.6 m)	75' (22.9 m)	6.11	66
			20' (6.1 m)	100' (30.5 m)	3.35	36
FS4425-M	250W MH	21,000	20' (6.1 m)	100' (30.5 m)	5.38	58
			25' (7.6 m)	125' (38.1 m)	3.19	34
FS4440-M	400W MH	36,000	25' (7.6 m)	125' (38.1 m)	5.48	59
			30' (9.1 m)	150' (45.7 m)	3.96	43
FS4525-M	250W HPS	28,500	20' (6.1 m)	100' (30.5 m)	7.08	76
			25' (7.6 m)	125' (38.1 m)	4.35	47
FS4540-M	400W HPS	50,000	25' (7.6 m)	125' (38.1 m)	7.63	82
			30' (9.1 m)	150' (45.7 m)	5.45	59