

Halogen lamps

Aluminium reflector



56mm CL

Aluminium reflector lamps consisting of a low-voltage halogen burner optically positioned in a lightweight, highly glossy anodised aluminium reflector with an integral protective front glass. The range has a clear or frosted front glass. Aluminium reflector lamps are high-intensity, safe light sources for use in all kinds of accent and decorative lighting without the need for an external reflector. The optical positioning of the burner at the focal point of the reflector results in a high-intensity beam with a clearly defined beam spread.

Like all halogen lamps, they emit a continuous spectrum of crisp white light, are dimmable and offer immediate ignition. Universal burning position.

Applications

- Spot lighting of merchandise, display lighting in shops, museums and exhibitions.
- Accent lighting in the home, restaurants, bars, discoteques and night clubs.
- Task lighting for precision work and for reading.



56mm FR

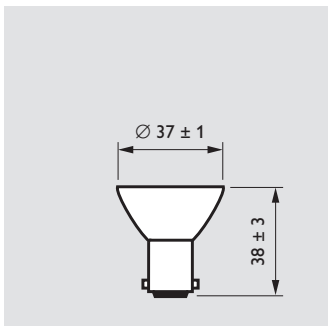


37mm CL

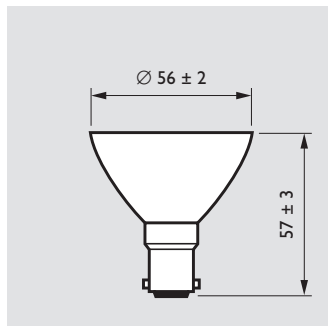
Dimensions in mm



37mm FR

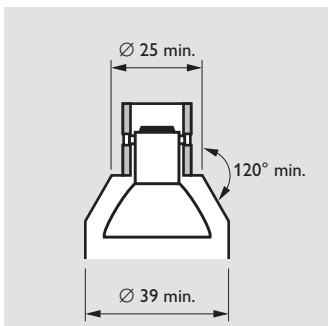


37 mm BA15d/19



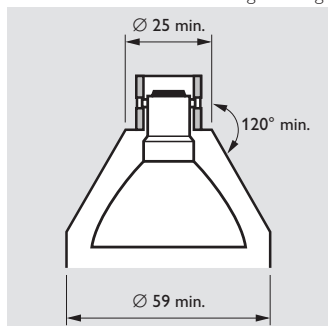
56 mm

Mounting drawings

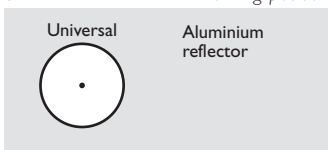


37 mm

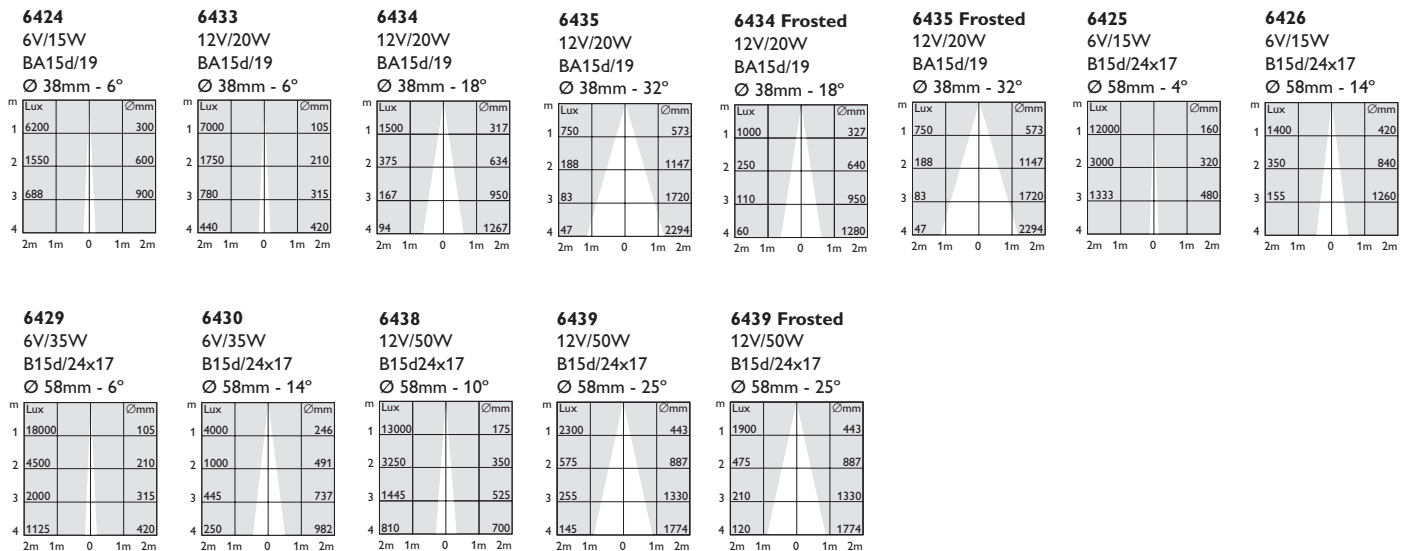
Burning position



56 mm B15d/24x17



Type	V	W	Beam angle	Cap/base	Finish	ANSI code	Max luminous intensity cd	Correlated colour temperature K	Lamp life 50% h	Ordering number
37MM CLEAR										
6424	6V	15W	6DGR	BA15D/19	CLEAR	GBA	5200	3000	2000	9239 049 10100
6433	12V	20W	6DGR	BA15D/19	CLEAR	GBD	6400	3000	2000	9238 827 17100
6434	12V	20W	18DGR	BA15D/19	CLEAR	GBE	1500	3000	2000	9238 828 17100
6435	12V	20W	32DGR	BA15D/19	CLEAR	GBF	750	3000	2000	9238 829 17100
37MM FROSTED										
6434/FR	12V	20W	18DGR	BA15D/19	FROSTED	GBE	1000	3000	2000	9240 077 17100
6435/FR	12V	20W	34DGR	BA15D/19	FROSTED	GBF	350	3000	2000	9240 015 17100
56MM CLEAR										
6425	6V	15W	4DGR	B15D/24X17	CLEAR	GBB	11000	3000	2000	9238 992 10100
6426	6V	15W	14DGR	B15D/24X17	CLEAR	GBC	1900	3000	2000	9238 993 10100
6429	6V	35W	6DGR	B15D/24X17	CLEAR	GBG	18000	3000	2000	9238 821 10100
6430	6V	35W	14DGR	B15D/24X17	CLEAR	GBH	4400	3000	2000	9238 823 10100
6438	12V	50W	10DGR	B15D/24X17	CLEAR	GBJ	12000	3000	2000	9238 839 17100
6439	12V	50W	25DGR	B15D/24X17	CLEAR	GBK	2500	3000	2000	9238 841 17100
56MM FROSTED										
6436/FR	12V	35W	40DGR	BA15D/19	FROSTED	-	550	3000	2000	9240 314 17100
6439/FR	12V	50W	22DGR	B15D/24X17	FROSTED	GBK	2000	3000	2000	9240 016 17100



Visual beams