

Halogen lamps

HALOGENA double envelope



BTT46 CL



BTT40 CL



BS35 CL



CG35 CL



BW47 FR



G95 Opal



R80 FR

HALOGENA are low-wattage double-envelope halogen lamps containing an electrically fused mains-voltage coiled coil linear filament. They are equipped with built-in arc-preventing fuses and the filament is fixed in the quartz tube by indents. The tube is placed axially in a single-ended normal glass outer envelope filled with a mixture of inert gases (to avoid corrosion).

These lamps combine the easy manageability of the popular standard incandescent lamp with all the benefits of halogen lighting: high luminous efficacy; crisp, white light; excellent colour rendering; constant light output during life; long life; immediate start and restart; and dimmability. The use of a new shorter burner gives the opportunity to reduce the length making HALOGENA completely in line with GLS bulb dimensions.

HALOGENA double-envelope can be installed with bare hands, unlike traditional halogen lamps; they are fully interchangeable with incandescent lamps of the same wattage; their cap temperature is the same as that of a GLS lamp; and they require no transformer for operation. Their burning position is universal.

Note

Open luminaires are permitted indoors, but in outdoor applications a protective glass cover should be used and the lamp should be fitted in a water-resistant luminaire.

Applications

- Homes, offices, hotels, restaurants, museums and shops.



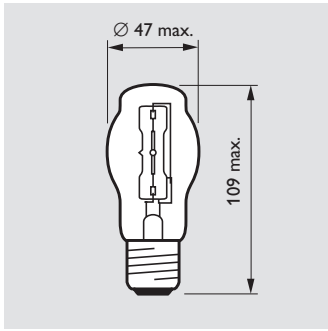
T32 CL



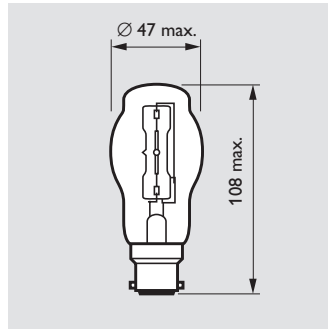
T20 CL

Halogen lamps

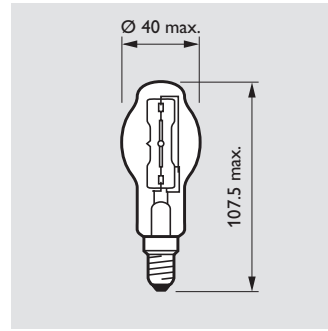
HALOGENA double envelope



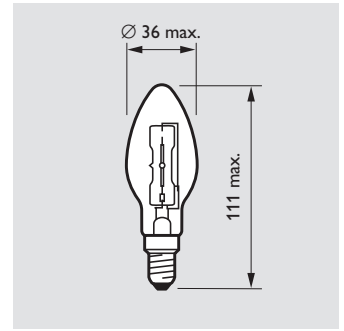
BTT46 E27



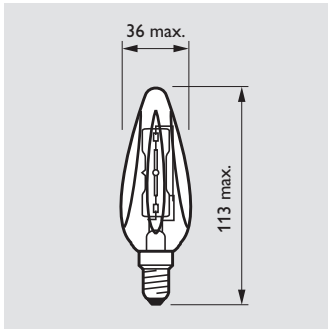
BTT46 B22



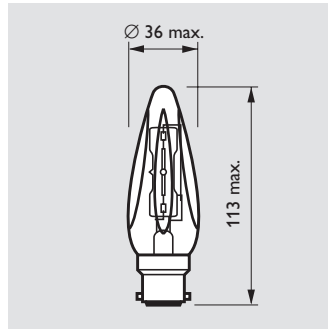
BTT40 E14



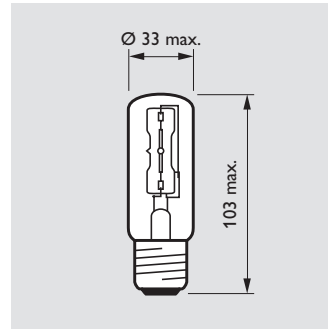
Candle BS35 E14



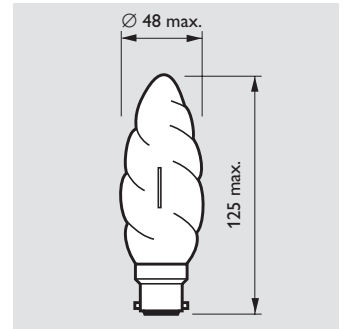
Candle CG35 E14



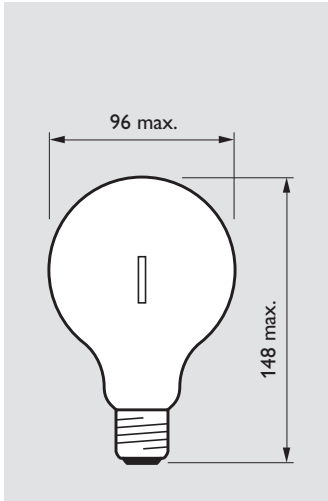
Candle CG35 B22d



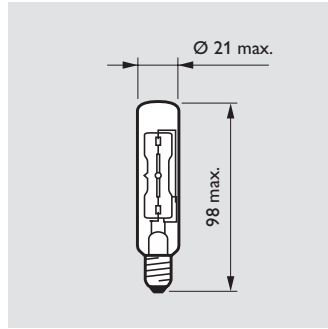
T32 E27



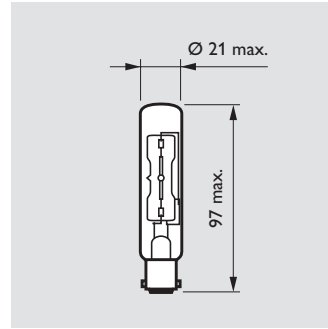
Candle BW47 B22d



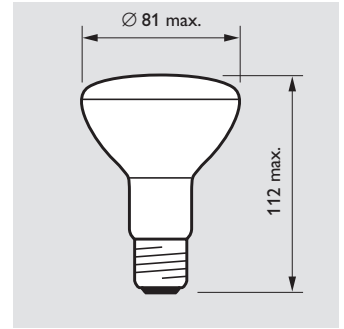
Globe E27



T20 E14

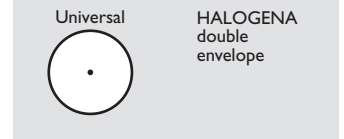


T20 B15



R80H E27

Dimensions in mm



Burning position

Type	V	W	Cap/ base	Finish	Bulb shape	Lumen output lm	Lamp life 50% h	Ordering number
BTT40								
13635	230V	60W	E14	CL	BTT40	840	2000	9239 884 44200
BTT46								
13947	230V	60W	E27	CL		840	2000	9239 431 44200
13947	240V	60W	E27	CL	BTT46	840	2000	9239 431 45500
13948	230V	60W	B22	CL	BTT46	840	2000	9239 432 44200
13948	240V	60W	B22	CL	BTT46	840	2000	9239 432 45500
13949	230V	60W	E27	OPAL	BTT46	780	2000	9239 433 44200
13949	240V	60W	E27	OPAL	BTT46	780	2000	9239 433 45500
13950	230V	60W	B22	OPAL	BTT46	780	2000	9239 434 44200
13950	240V	60W	B22	OPAL	BTT46	780	2000	9239 434 45500
13645	230V	100W	B22	CL	BTT46	1600	2000	9239 120 44200
13645	230V	100W	E27	CL	BTT46	1600	2000	9239 067 44200
13645	240V	100W	B22	CL	BTT46	1600	2000	9239 120 45500
13645	240V	100W	E27	CL	BTT46	1600	2000	9239 067 45500
13646	230V	100W	B22	OPAL	BTT46	1450	2000	9239 121 44200
13646	230V	100W	E27	OPAL	BTT46	1450	2000	9239 068 44200
13646	240V	100W	B22	OPAL	BTT46	1450	2000	9239 121 45500
13646	240V	100W	E27	OPAL	BTT46	1450	2000	9239 068 45500
13649	230V	150W	E27	CL	BTT46	2550	2000	9238 943 44200
13649	240V	150W	E27	CL	BTT46	2550	2000	9238 943 45500
13650	230V	150W	E27	OPAL	BTT46	2350	2000	9239 065 44200
CANDLE								
14017	230V	40W	E14	CL	BS35	500	2000	9245 257 44200
14018	230V	40W	E14	FR	BS35	480	2000	9245 258 44200
14020	230V	60W	E14	CL	BS35	840	2000	9245 255 44200
14021	230V	60W	E14	FR	BS35	800	2000	9245 256 44200
14019	230V	60W	B22	FR	BW47	800	2000	9245 253 44200
13638	230V	40W	E14	CL	CG35	500	2000	9245 061 44200
13638	240V	40W	B22	CL	CG35	500	2000	9245 216 45500
13636	230V	60W	E14	CL	CG35	840	2000	9239 889 44200
13636	240V	60W	B22	CL	CG35	840	2000	9245 217 45500
13636	240V	60W	E14	CL	CG35	840	2000	9239 889 45500
GLOBE								
13641	230V	60W	E27	OPAL	G95	780	2000	9245 039 44200
13664	230V	100W	E27	OPAL	G95	1450	2000	9239 125 44200
13666	230V	150W	E27	OPAL	G95	2350	2000	9239 145 44200
R80								
14026	230V	60W	E27	FR	R80	NA	2000	9245 259 44200
14027	230V	100W	E27	FR	R80	NA	2000	9245 260 44200
T20								
14001	230V	40W	E14	CL	T20	500	2000	9245 124 44200
14002	230V	40W	E14	FR	T20	480	2000	9245 125 44200
14003	230V	40W	B15	CL	T20	500	2000	9245 126 44200
14004	230V	40W	B15	FR	T20	480	2000	9245 127 44200
14005	230V	60W	E14	CL	T20	840	2000	9245 128 44200
14006	230V	60W	E14	FR	T20	800	2000	9245 129 44200
14007	230V	60W	B15	CL	T20	840	2000	9245 130 44200
14008	230V	60W	B15	FR	T20	800	2000	9245 131 44200
14009	230V	100W	E14	CL	T20	1600	2000	9245 132 44200
14010	230V	100W	E14	FR	T20	1525	2000	9245 133 44200
14011	230V	100W	B15	CL	T20	1600	2000	9245 134 44200
14012	230V	100W	B15	FR	T20	1525	2000	9245 135 44200
T32								
13656	230V	60W	E27	CL	T32	840	2000	9245 106 44200
13658	230V	60W	E27	FR	T32	780	2000	9245 108 44200
13660	230V	100W	E27	CL	T32	1600	2000	9245 110 44200
13662	230V	100W	E27	FR	T32	1525	2000	9245 112 44200
13945	230V	150W	E27	CL	T32	2550	2000	9245 114 44200
13945	240V	150W	E27	CL	T32	2550	2000	9245 114 45500
13946	230V	150W	E27	FR	T32	2450	2000	9245 115 44200
13946	240V	150W	E27	FR	T32	2450	2000	9245 115 45500