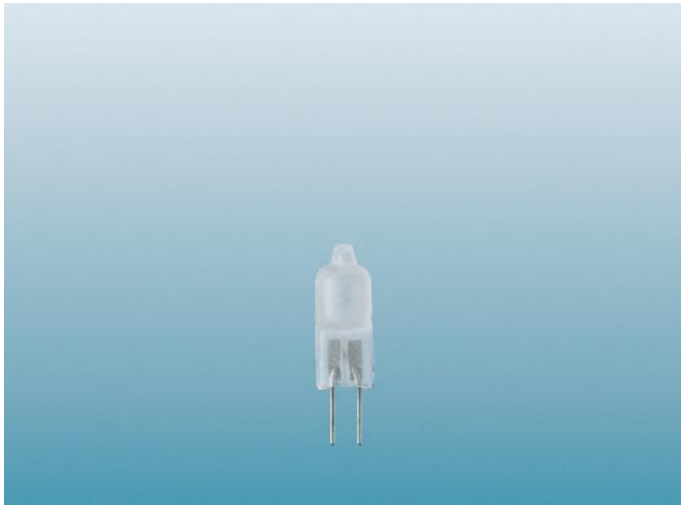
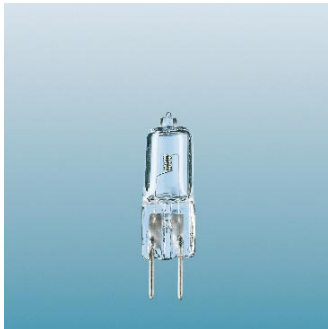


# Halogen lamps

# Low-voltage capsules



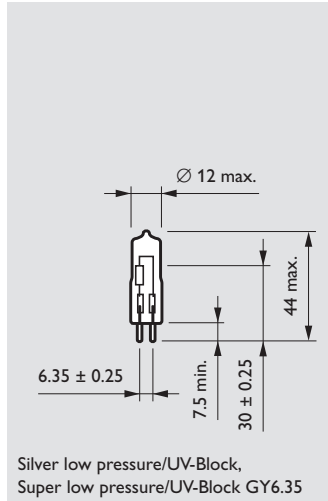
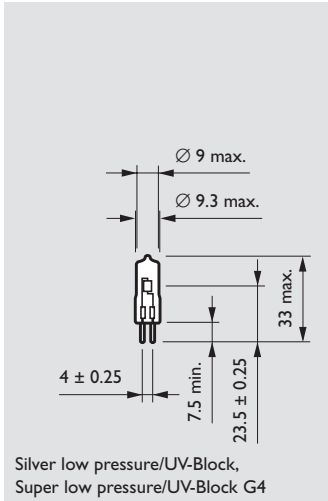
G4



GY6.35 CL



GY6.35 FR



Capsules are the most compact halogen lamps and can be used for a wide range of applications. The Philips range of low-voltage capsules consists of the following groups:

- LOW-PRESSURE SUPER (incl. UV-Block glass): lamps in accordance with IEC 357 with special operating fillgas pressure of  $\leq 2.5$  bar to be used in luminaires without front glass in accordance with IEC 598. They have an axial filament for high centre-beam intensities. The lamps are available with both clear and frosted glass.
- LOW-PRESSURE STANDARD 5W lamp with a transversal (bow) filament and UV-BLOCK glass.
- UV Block (24V): with special UV-Block (quartz) glass to considerably reduce the UV output and with axial filament.

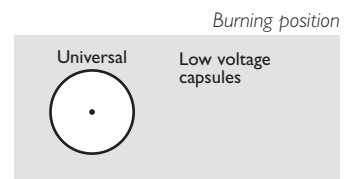
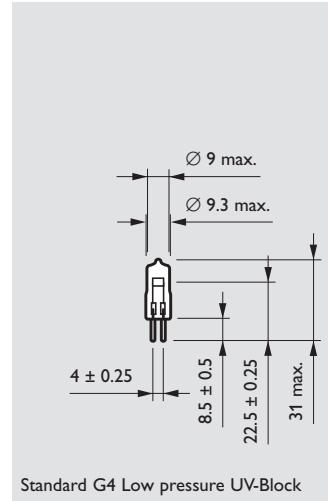
Burning position: universal.  
Halogen low-voltage capsules also offer the following benefits to luminaire manufacturers:

- Opportunity to design compact luminaires for a variety of applications.
- Value-adding possibilities for total lighting system (lamp and reflector).
- Low-pressure technology to design luminaires without front glass.
- Strong reduced pinch temperatures

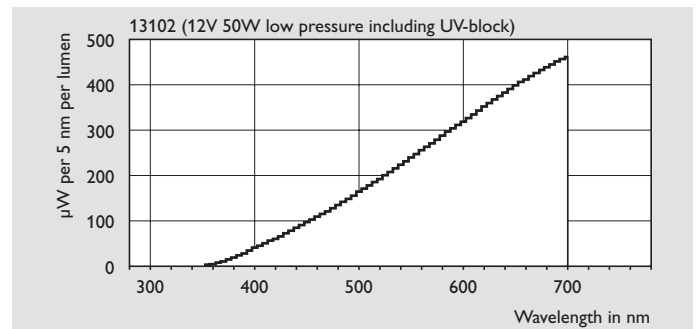
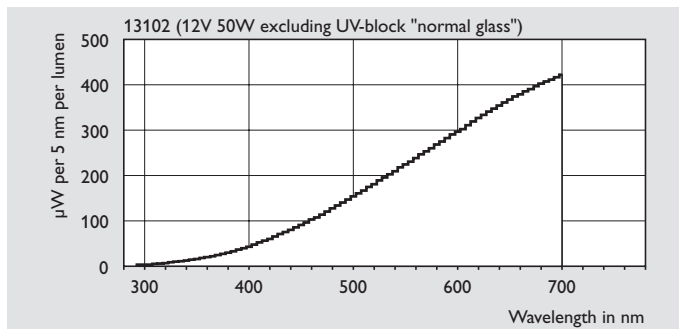
### Applications

- Task lighting
- Decorative applications in homes, shops, and hotels/restaurants
- shoplighting

Dimensions in mm



Type	V	W	Cap/ base	Finish	Lumen output  lm	Correlated colour temperature K	Lamp life 50% h	Ordering number
SILVER (LOW PRESSURE/UV-BLOCK)								
13691	12V	20W	G4	FROSTED	315	3000	2000	9240 365 17100
13756	12V	20W	GY6.35	FROSTED	300	3000	2000	9240 409 17100
13755	12V	35W	GY6.35	FROSTED	600	3000	2000	9240 408 17100
13754	12V	50W	GY6.35	FROSTED	950	3000	2000	9240 407 17100
SUPER (REF: 24 V) (UV-BLOCK)								
13091	24V	20W	G4	CLEAR	300	3000	2000	9240 388 20500
13090	24V	50W	GY6.35	CLEAR	850	3000	2000	9240 387 20500
13089	24V	100W	GY6.35	CLEAR	2200	3000	2000	9240 386 20500
STANDARD (LOW PRESSURE/UV-BLOCK)								
13283	12V	5W	G4	CLEAR	60	2800	2000	9240 389 17100
SUPER (LOW PRESSURE/UV-BLOCK)								
13284	12V	10W	G4	CLEAR	140	2850	2000	9240 363 17100
13078	12V	20W	G4	CLEAR	320	3000	2000	9240 364 17100
13104	12V	20W	GY6.35	CLEAR	300	3000	2000	9240 404 17100
13103	12V	35W	GY6.35	CLEAR	600	3000	2000	9240 403 17100
13102	12V	50W	GY6.35	CLEAR	950	3000	2000	9240 402 17100
13101	12V	75W	GY6.35	CLEAR	1575	3000	2000	9240 401 17100
13100	12V	100W	GY6.35	CLEAR	2200	3000	2000	9240 400 17100



Spectral power distributions