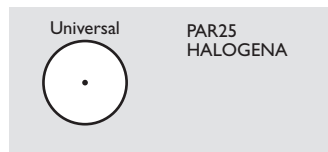


Dimensions in mm



Burning position

Definition

Family name: PAR HalogenA
 Product name: PAR 25 Halogen
 A new family of reflector lamps consisting of a mains-voltage hard glass burner (I-shaped filament) optically positioned in a Parabolic, Aluminium-coated, pressed-glass Reflector (PAR). The reflector pressing has a new optical design.

Description

General

Halogen light sources are often used in modern stylised environments. Not only their compactness, the combination possibilities with modern luminaires, their decorativeness, but especially the bright and sparkling light make Halogen a well-loved light source. The sparkling and decorative image of the PAR HalogenA is emphasized by its new and modern designed WISO® which is to be found in each member of the family.

The HalogenA concept

Halogen technology embraces two concepts. First of all, the well-known "Low Voltage" solutions that require a transformer. Besides this there is also a "Mains voltage" technology. Philips focuses its development towards offering halogen solutions which fit in normal and existing lamp fittings. Besides the HalogenA, which is a general-purpose lamp, Philips now also offers the PAR HalogenA which bundles the light and is suitable for accent applications. The combination of the latest optical know-how and the halogen technology results in an intense beam with a clearly defined beam spread.

For wide beams, a faceted front glass is used thus ensuring a very good light distribution. In a PAR 25 flood application there is a chance that you might look into the light source. The faceted front glass prevents the annoyance of glare and is required for safety. It will protect the lamp from outside elements such as errant fingers and dust which could reduce the light output and affect the sparkling image.

Other advantages

- The lamp, of course, also incorporates the features applicable to halogen lamps in general, i.e.:
- Luminous flux remains nearly constant throughout the lamp life.
 - 2 1/2 times the lifetime of a normal incandescent lamp.
 - Natural colour rendering ($R_a = 100$).
 - Good luminous efficacy (more light less energy).

Applications

The PAR HalogenA is designed for accent or task lighting. The lighting characteristics of halogen in general support the use of this lamp technology for these applications. The excellent colour rendering gives a realistic impression of the objects displayed. The lumen maintenance (virtually 100%) ensures that during the whole lifetime of the lamp the displayed objects are accentuated according to the initial requirements. Therefore the PAR 25 can be used at home or in the shop, in those applications where your valuable goods have to be accentuated.

Outdoor usage

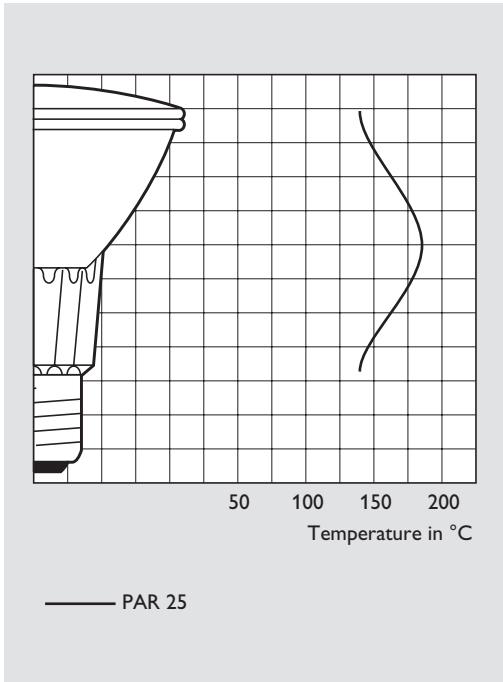
The PAR 25 can also be used outside. The luminaire, however, must certainly offer a waterproof connection between the reflector and the luminaire. The reflector and burner are temperature shock resistant.

Technical data

Type	V	W	Beam angle	Cap/base	Max luminous intensity cd	Correlated colour temperature K	Colour rendering index Ra	Average rated lamp life h	Nett weight g	Ordering number	EAN-1 8711
ALUMINIUM											
PAR 25 HALOGENA	230V	75W	25DGR	E27	1850	2900	100	2500	190	9245 391 44211	500 518323
PAR 25 HALOGENA	240V	75W	25DGR	E27	1850	2900	100	2500	190	9245 391 45511	500 518330

Halogen lamps

PAR 25 HALOGENA



Heat distribution

Luminous intensity distribution and visual impact diagrams

