

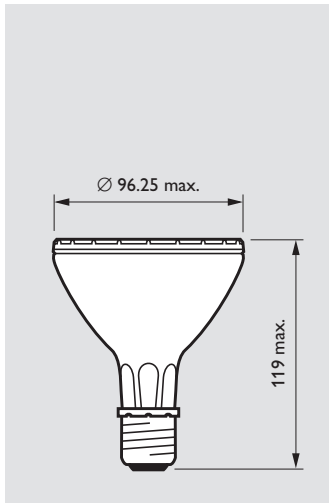


Spot

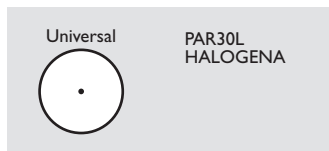


Flood

Dimensions in mm



PAR30L HALOGENA



Burning position

Reflector lamps consisting of a mains-voltage hard glass burner optically positioned in a Parabolic, Aluminium-coated, pressed-glass Reflector (PAR).

The sparkling and decorative image of the PAR 30L HalogenA is emphasised by its new and modern designed WISO® reflector found in each member of the PAR HalogenA family. This gives more light in the specified beam and a well-defined beam pattern.

Philips' mains-voltage HalogenA philosophy focuses on offering halogen solutions which fit in normal and existing luminaires. Unlike the HalogenA, which is a general-purpose lamp, the PAR HalogenA bundles the light and is suitable for accent applications. The combination of the latest optical know-how and the halogen technology results in a very intensive beam with a clearly defined beam spread. The fact that the front glass is lightly stippled for the spot versions will strongly emphasise the effect of the sparkling reflector. The front glass protects the lamp for safety and from outside elements such as errant fingers and dust which could reduce the light output and affect the sparkling image. For wider beams, a lenticuled front glass is used thus ensuring a very homogeneous light distribution. In a PAR 30L flood application, the lenticuled front glass prevents glare.

The PAR 30L HalogenA has two beam spreads - 10° and 30° - and is a complete retrofit halogen replacement of incandescent R95 reflector lamps of the same or higher wattage.

It also incorporates the features applicable to halogen lamps in general, such as: a luminous flux which remains nearly constant throughout the lamp life; 2.5 times the lifetime of a normal incandescent reflector lamp; natural colour rendering ($R_a=100$); and good luminous efficacy (more light less energy). Not only the compactness of halogen light sources, the combination possibilities with modern luminaires and their decorativeness, but especially the bright and sparkling light make halogen a well-loved light source. These general lighting characteristics of halogen support the use of the PAR 30L HalogenA for accent and display lighting. The excellent colour rendering gives a realistic impression of the objects and during the whole lifetime of the lamp the displayed objects are accentuated according to the initial requirements. The PAR 30L used along with the PAR 20 offers the possibility to combine different lamp dimensions in one location but maintaining the same appearance. It can also be used in downlights as a support for general lighting applications. The PAR 30L HalogenA can also be used outdoors. The luminaire, however, must certainly include a waterproof connection between the reflector and the luminaire. The reflector and burner are temperature shock resistant.

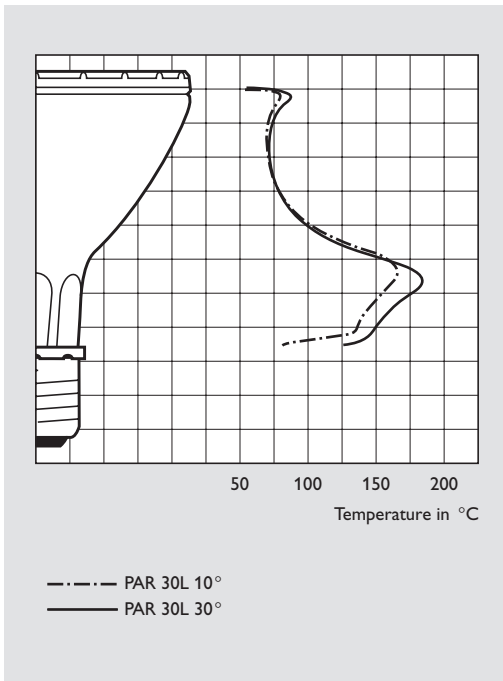
Applications

- Accent lighting in shops, especially for valuable goods
- Accent and task lighting in the home

Type	V	W	Beam angle	Cap/base	Max luminous intensity cd	Correlated colour temperature K	Lamp life 50% h	Ordering number
ALUMINIUM								
PAR30L HALOGENA	230V	75W	10DGR	E27	10000	2900	2500	9247 573 00000
PAR30L HALOGENA	230V	75W	30DGR	E27	2200	2900	2500	9247 574 00000
PAR30L HALOGENA	240V	75W	10DGR	E27	10000	2900	2500	9247 573 00100
PAR30L HALOGENA	240V	75W	30DGR	E27	2200	2900	2500	9247 574 00100

Halogen lamps

PAR 30L HALOGENA



Heat distribution

Lumen intensity distribution and visual impact diagrams

