

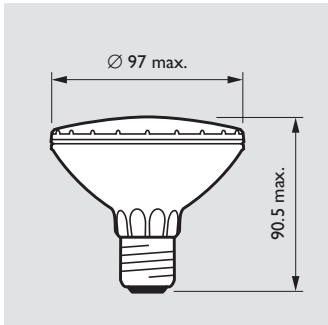


Spot

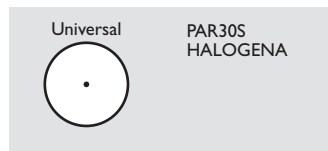


Flood

Dimensions in mm



PAR30S HALOGENA



Burning position

Reflector lamps consisting of a mains-voltage hard glass burner (linear filament) optically positioned in a Parabolic, Aluminium-coated, pressed-glass Reflector (PAR).

The sparkling and decorative image of the PAR 30S HALOGENA is emphasised by its new and modern designed WISO® reflector found in each member of the PAR HALOGENA family. This gives more light in the specified beam and a well-defined beam pattern. Philips' mains-voltage HALOGENA philosophy focuses on offering halogen solutions which fit in normal and existing luminaires. Unlike the HALOGENA, which is a general-purpose lamp, the PAR HALOGENA bundles the light and is suitable for accent applications.

The combination of the latest optical know-how and the halogen technology results in a very intensive beam with a clearly defined beam spread. The fact that the front glass is lightly stippled for the spot versions will strongly emphasise the effect of the sparkling reflector. The front glass protects the lamp for safety and from outside elements such as errant fingers and dust which could reduce the light output and affect the sparkling image. For wider beams, a lenticuled front glass is used thus ensuring a very good light distribution. In a PAR 30S flood application, the lenticuled front glass prevents glare.

The PAR 30S HALOGENA has two beam spreads - 10° and 30° - and is a replacement for the Sylvania PAR 30 De Luxe. It also incorporates the features applicable to halogen lamps in general, such as: a luminous flux which remains nearly constant throughout the lamp life; 2.5 times the lifetime of a normal incandescent reflector lamp; natural colour rendering ($R_a=100$); and good luminous efficacy (more light less energy). Not only the compactness of halogen light sources, the combination possibilities with modern luminaires and their decorativeness, but especially the bright and sparkling light make halogen a well-loved light source. These general lighting characteristics of halogen support the use of the PAR 30S HALOGENA for accent and display lighting. The excellent colour rendering gives a realistic impression of the objects and during the whole lifetime of the lamp the displayed objects are accentuated according to the initial requirements. The PAR 30S HALOGENA can also be used outdoors. The luminaire, however, must certainly include a waterproof connection between the reflector and the luminaire. The reflector and burner are temperature shock resistant.

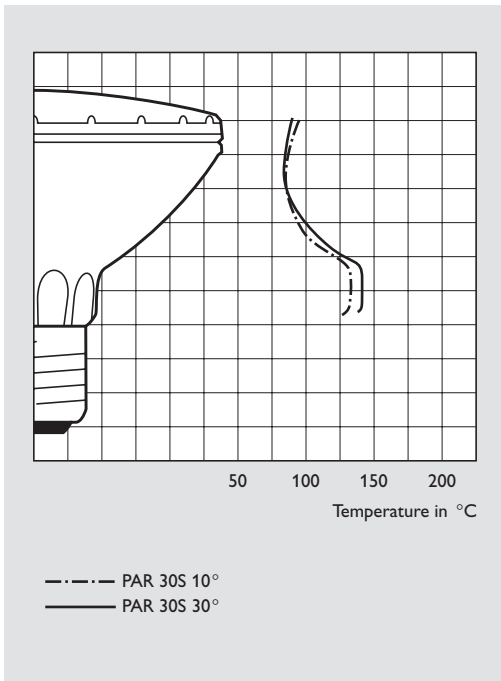
Applications

- Accent lighting in shops, especially for valuable goods
- Accent and task lighting in the home

Type	V	W	Beam angle	Cap/base	Max luminous intensity cd	Correlated colour temperature K	Lamp life 50% h	Ordering number
ALUMINIUM								
PAR30S HALOGENA	230V	75W	10DGR	E27	6500	2900	2500	9245 123 44200
PAR30S HALOGENA	230V	75W	30DGR	E27	2000	2900	2500	9245 122 44200
PAR30S HALOGENA	240V	75W	10DGR	E27	6200	2900	2500	9245 123 45500
PAR30S HALOGENA	240V	75W	30DGR	E27	2000	2900	2500	9245 122 45500

Halogen lamps

PAR 30S HALOGENA



Heat distribution

Luminous intensity distribution and visual impact diagrams

