

# H.I.D. lamps

# Mastercolour CDM-TC

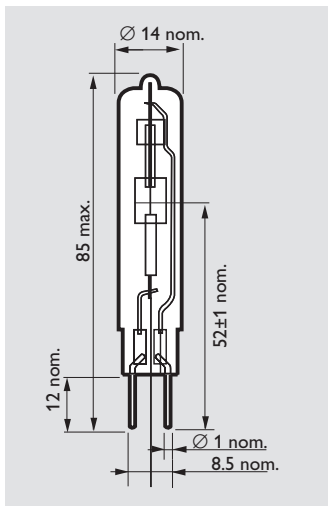


These are the most compact discharge lamps in the Mastercolour family, offering a sparkling light, a warm colour impression and an excellent colour rendering. Features of the CDM-TC /830, the smallest CDM-T lamp, include: stable colour over life, high efficiency, a CRI of 81, a long life compared to incandescent and halogen lamps, and a UV-block quartz outer bulb. CDM-TC have to be used with gear, preferably with the electronic MHC 035, thus offering minimum system volume and flicker-free operation.

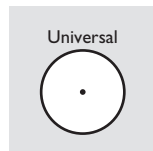
If conventional gear is used, a high-current protection device is mandatory (conforming to IEC 1167). The lamps must be used in closed luminaires. For general lighting a hardened front glass is needed. Burning position: universal.

### Applications

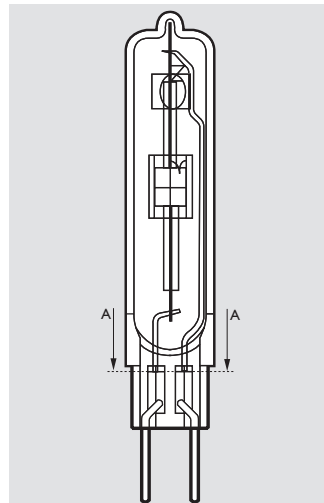
- Shops and shop windows.



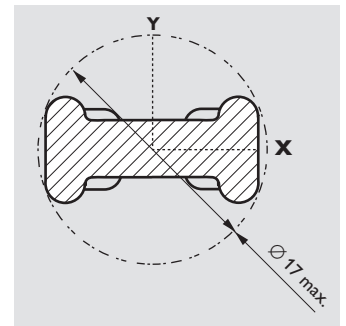
Dimensions in mm



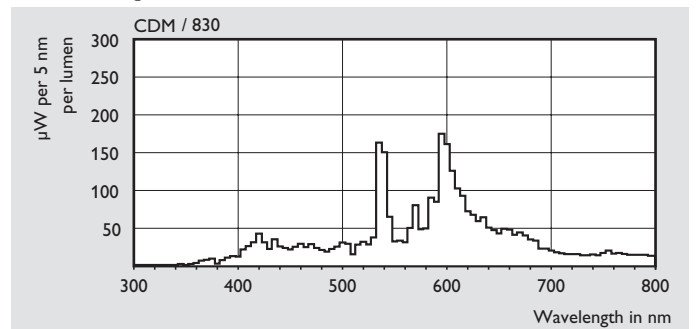
Burning position



Detailed drawing



Cut-away A-A



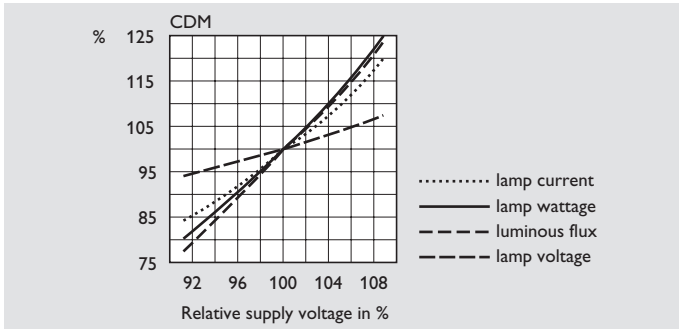
Spectral power distribution

Type	W	V	Lamp current	Lumen output	Correlated colour temperature	Chromaticity coordinate	Chromaticity coordinate	Colour rendering index	Colour spread max. at 100h	Colour spread max. at 5000h	PET* (NIOSH)
			A	lm	K	x	y	81	K	K	h*klx
CDM-TC 35W/830	39	88	0.5	3400	3000	435	400		±150	±200	44

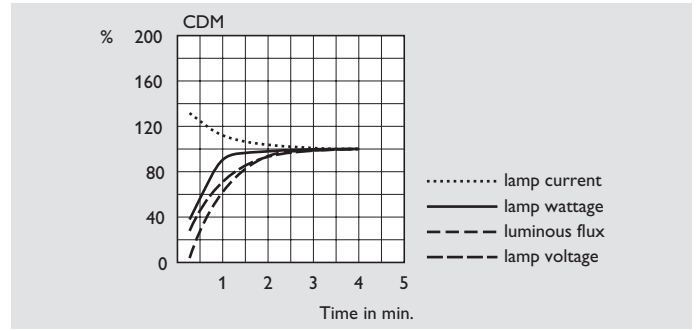
Type	W	Damage factor	Maximum lamp starting current	Efficacy of a source	P <sub>system conv.</sub> gear <sup>1</sup>	lm/W system <sub>conv</sub>	P <sub>system electronic gear<sup>1</sup></sub> MHC	lm/W system <sub>electr.</sub> MHC <sup>1</sup>	Run-up time	Maximum permissible bulb temperature	Maximum permissible base/pinch temperature	Ilcos code	Ordering number
		D/fc	A	lm/W	W	lm/W	W	lm/W	min.	°C	°C		
CDM-TC 35W/830	39	0.3	0.8	89	47	72	45	75	3	450	250	MT-35/30/1B-H-G8.5	9280 852 05100

<sup>1</sup>) Indicative values





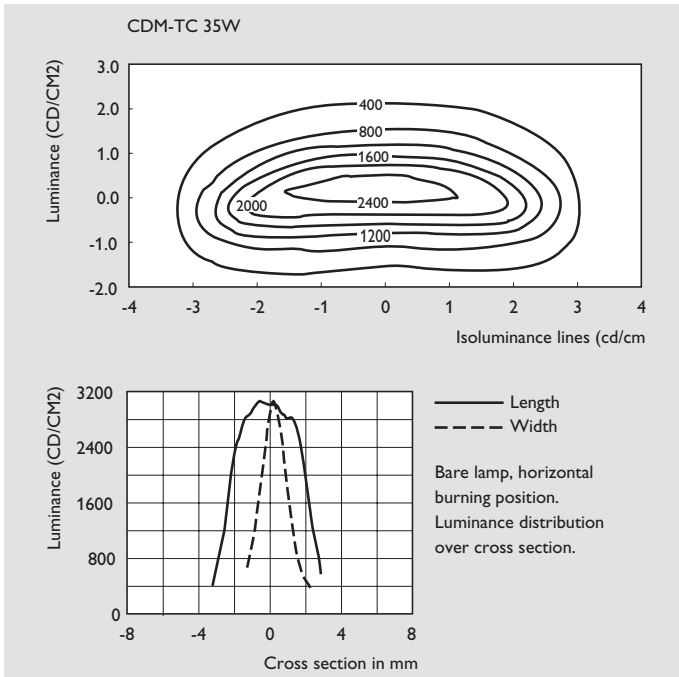
Effects of mains voltage variations



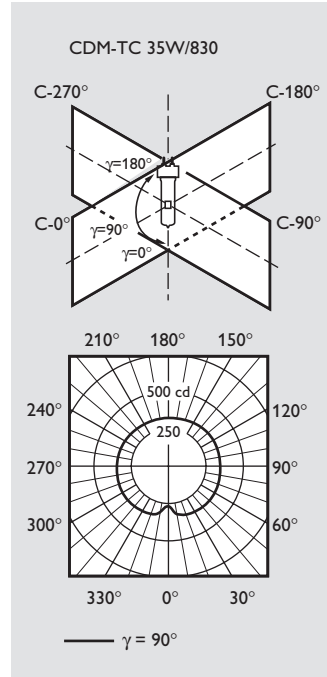
Lamp performances during run-up

Tc	3000K /830				4200K /942		
Type	CDM-TC	CDM-T	CDM-TD	CDM-R PAR20	CDM-R PAR30L	CDM-T	CDM-TD
35W							
70W							
150W							

Mastercolour CDM range.



Luminance distribution



Polar light distributions

