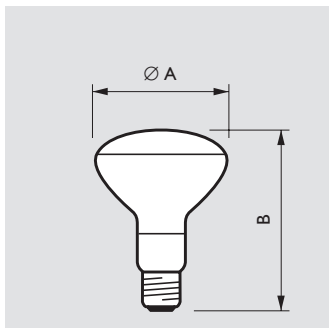




PF318E

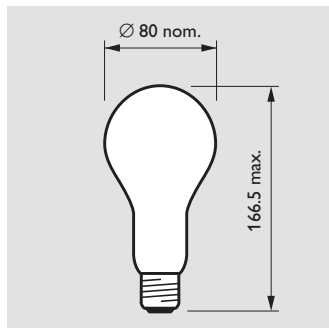


PF308E

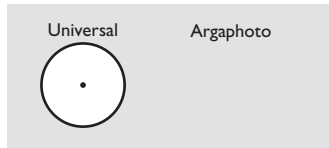


Dimensions in mm

Type	A nom.	B max.
Cap/base E27		
PF318E	125.0	177.0
PF319E	95.0	135.0



PF308E

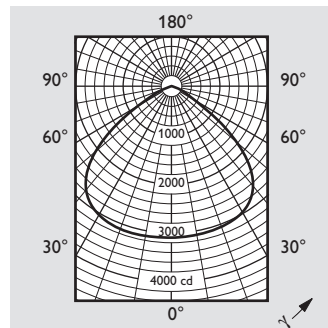
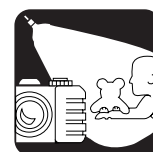


Burning position

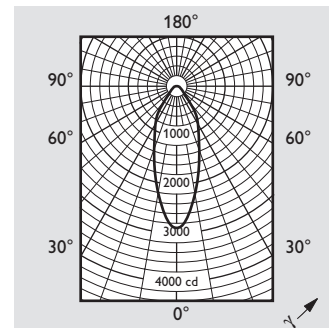
Argaphoto lamps have an internal white coating, which emits diffused uniform light. The colour temperature of 3200K matches the sensitivity of film used by professional photographers. PF318E and PF319E have internal mirrors and can be used without a separate reflector. The burning position of Argaphoto lamps is universal.

Applications

- General photographic, cine and video camera lighting for monochrome or colour films



PF318E



PF319E

Type	W	V	Cap/ base	Finish	ANSI code	LIF code	Lumen output lm	Correlated colour temperature K	Lamp life 50% h	Ordering number
150W										
PF319E/44	150W	220V	E27	REFL SAT FROST ¹⁾	-	-	-	3200	100	9232 191 42900
500W										
PF308E/21	500W	220V	E27	INS FROSTED ²⁾	-	P2/1	11000	3200	100	9205 204 42900
PF308E/21	500W	240V	E27	INS FROSTED ²⁾	-	P2/1	11000	3200	100	9205 204 45500
PF318E/44	500W	220V	E27	REFL SAT FROST ¹⁾	-	P2/1	-	3200	100	9232 190 42900
PF318E/44	500W	240V	E27	REFL SAT FROST ¹⁾	-	P2/1	-	3200	100	9232 190 45500

¹⁾ Reflector, satinated and frosted

²⁾ Inside frosted

