

Special incandescent lamps

Conventional projection



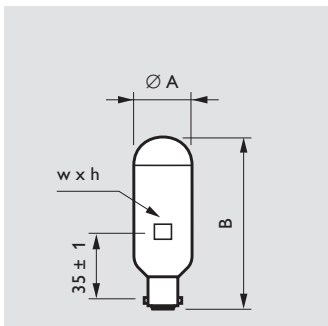
7238N, 6158N BA15s



13120C P30s

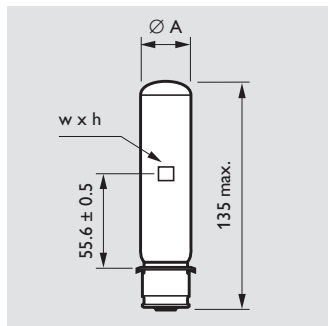


6070C P28s



Dimensions in mm

Type	A nom.	B max.	w x h
Cap/base BA15s			
6158N	30.0	78.0	9.0 x 6.5
7238N	30.0	78.0	4.6 x 2.6
13141N	28.0	90.0	9.0 x 8.0
6166N	28.0	90.0	10.0 x 8.0
7212N	28.0	105.0	11.0 x 8.0



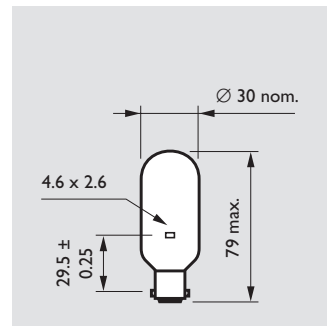
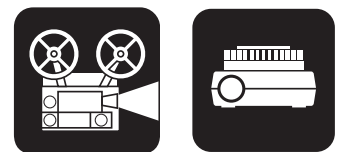
Type	A max.	w x h
Cap/base P28s		
13140C	29.0	9.0 x 8.0
6070C	32.5	10.0 x 8.0
6152C	33.0	10.0 x 9.5

Conventional projection lamps have grid filaments and long, slim, tubular glass envelopes. The precise pre-focus base allows lamp replacement without readjustment.

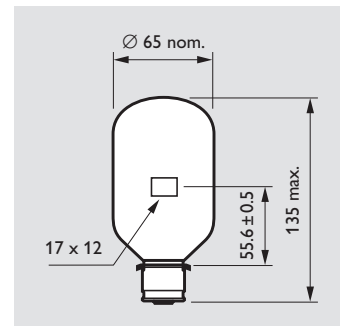
The burning positions of Conventional projection lamps are: base down +/- 15 degrees for the types with P28s, BA15s, B21s and P30s bases; base down +/- 135 degrees for type 6013G; and base down +/- 45 degrees for types 375C, 13128G/01 and 13129/01.

Applications

- Film and slide projectors



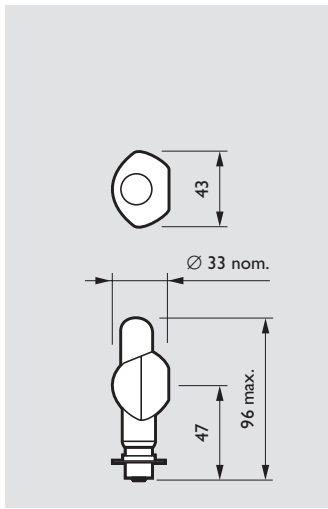
7909J B21s



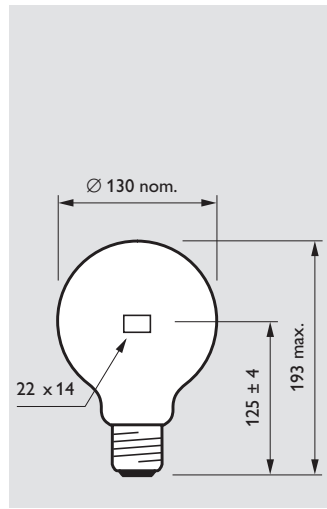
375C P28s

Special incandescent lamps

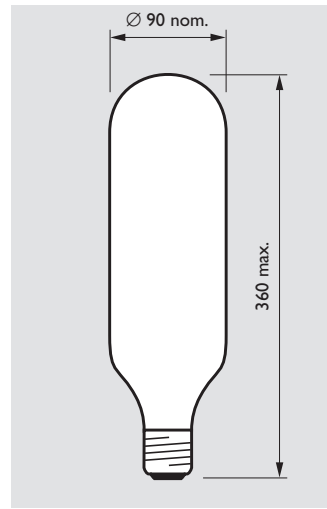
Conventional projection



13120C P30s

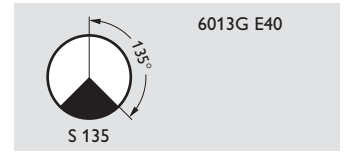
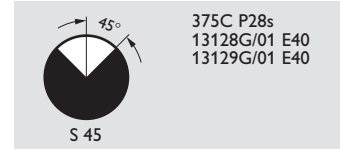
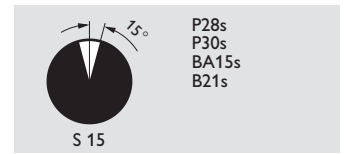


13128G/01 13129G/01 E40



6013G E40

Dimensions in mm



Burning positions

Type	W	V	Cap/ base	Finish	ANSI code	LIF code	Lumen output lm	Average lamp life h	Ordering number
50W									
13120C	50W	8V	P30S	ELLIPS MIRROR	CXL/CXR	A1/17	NA	25	9222 014 14500
100W									
6158N/05	100W	230V	BA15S	TOP MIRROR	CJW	A1/21	1650	25	9222 051 44200
7238N/05	100W	12V	BA15S	TOP MIRROR	BXT	A1/186	2800	20	9222 051 17100
7909J	100W	12V	B21S	CLEAR	NA	A1/193	2800	20	9222 069 17100
150W									
13140C/05	150W	220V	P28S	TOP MIRROR	NA	A1/175	2750	25	9222 104 42900
13141N/05	150W	230V	BA15S	TOP MIRROR	CKK	A1/167	2700	25	9222 101 44200
200W									
6166N/05	200W	220V	BA15S	TOP MIRROR	NA	A1/26	4200	25	9222 121 42900
250W									
6070C/05	250W	230V	P28S	TOP MIRROR	NA	A1/5	4900	50	9222 146 44200
300W									
7212N/05	300W	220V	BA15S	TOP MIRROR	NA	A1/37	6000	25	9222 152 42900
500W									
375C	500W	220V	P28S	CLEAR	NA	A1/8	10500	100	9222 708 42900
6013G	500W	220/230V	E40	CLEAR	NA	NA	9000	500	9224 605 43200
6152C/05	500W	230V	P28S	TOP MIRROR	CZF	A1/7	12500	25	9222 201 44200
6152C/05	500W	240V	P28S	TOP MIRROR	CZF	A1/7	12500	25	9222 201 45500
1000W									
13128G/01	1000W	230V	E40	SIDE MIRROR	NA	NA	26000	40	9218 601 44200
13129G/01	1000W	230V	E40	SIDE MIRROR	NA	NA	23000	100	9218 602 44200

