

Special halogen lamps

Overhead double-ended

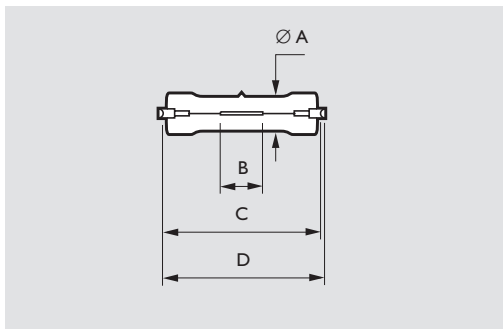


Double-ended quartz halogen lamps for overhead projectors. They feature precisely aligned grid-type filament assemblies as well as critical tolerances, compact format and high luminous output. The fact that these lamps can be used in a horizontal position makes them eminently suitable for use in overhead projectors.

Their high colour temperature and luminous efficacy remain practically constant throughout lamp life.

Applications

- Overhead projectors



Dimensions in mm

Type	A max.	B	C	D max.
6365R R7s	16.0	15.3	74.9+/-1.6	78.3
6366R R7s	16.0	20.0	74.9+/-1.6	78.3
6369R R7s	11.0	12.0	53.7+/-1.6	57.1
12098R R7s	14.0	20.5	75.3+/-1.6	78.7
12260R RX7s	16.0	19.0	88.4+/-1.6	91.8

Type	V	W	Cap/base	ANSI code	LIF code	Filament shape *	Lumen output	Correlated colour temperature	Burning position	Lamp life 50%	Maximum permissible base/pinch temperature	Ordering number	
							lm	K			degr.C		
6369R	30V	250W	R7S	-	P2/21	SC	6900	3200	P15	50	400	9238 781 22100	
12098R	30V	375W	R7S	DWZ	A1/226	CC	7688	3000	UNIVERSAL	1000	350	9238 710 22100	
12260R	230V	600W	RX7S	FEB	A1/228	CC	15600	3200	P4	75	400	9238 718 43200	
12260R	240V	600W	RX7S	FEA	A1/228	CC	15600	3200	P4	75	400	9238 718 45700	
6365R	120V	650W	R7S	FAD	P2/6	CC	18000	3200	P4	75	400	9238 782 34500	
6365R	230V	650W	R7S	-	P2/6	CC	17000	3200	P4	75	400	9238 782 43200	
6366R	230V	800W	R7S	-	P2/13	CC	21600	3200	P4	75	400	9238 783 43200	
6366R	240V	800W	R7S	-	P2/13	CC	21600	3000	P4	75	400	9238 783 45700	

* CC = Coiled coil
SC = Single coil

