



Single-ended bi-pin quartz halogen lamps for overhead projectors. They feature precisely aligned grid-type filament assemblies as well as critical tolerances, compact format and high luminous output. Some types are for use with an external reflector; while others employ an internal proximity reflector for maximum light collection efficiency. The prefocus bases ensure exact alignment of the lamp within the optical system.

Their high colour temperature and luminous efficacy remain practically constant throughout lamp life.

Applications

- Overhead projectors

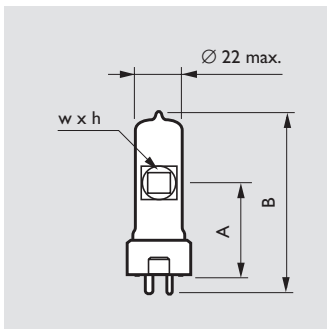


Fig. 1

Type	A	B	w x h
		max.	
5968	36.5	76.2	9.0 x 10.0
7804	44.5	87.0	11.0 x 12.0

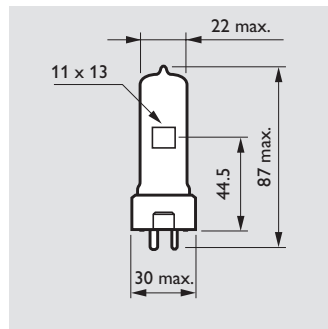


Fig. 2

Dimensions in mm



Type	V	W	Cap/base	ANSI code	LIF code	Fig.	Finish	Filament shape *	Lumen output	Correlated colour temp	Burning position	Lamp life 50%	Maximum permissible base/pinch temperature	Ordering number
									lm	K		h	degr.C	
5968	120V	500W	GY9.5	EHA	A1/254	1	REFL.	BP	11450	3200	S90	50	400	9238 792 34500
5968	230V	500W	GY9.5	EMG	A1/254	1	REFL.	BP	11550	3200	S90	50	400	9238 792 43200
5968	240V	500W	GY9.5	FGP/EMG	A1/254	1	REFL.	BP	11550	3200	S90	50	400	9238 792 45700
7764	230V	800W	GY9.5	-	A1/245	2	CLEAR	BP	21500	3200	S90	75	400	9238 765 43200
7764	240V	800W	GY9.5	-	A1/245	2	CLEAR	BP	21500	3200	S90	75	400	9238 765 45700
7804	230V	900W	GY9.5	DZJ	-	1	REFL.	BP	22000	3200	S90	75	400	9238 778 43200
7804	240V	900W	GY9.5	DZJ	-	1	REFL.	BP	22000	3200	S90	75	400	9238 778 45700

*BP= Biplane