



437E/00 E27

Theatre lamps produce high luminous flux at closely-specified colour temperatures. Compact single-plane, biplane or linear filaments ensure tight beam control. There are lamps for axial or transversal mounting. The lamps with prefocus bases allow lamp replacement without adjustment. The burning position of Theatre lamps is base down +/- 15 degrees, base down +/- 45 degrees or base down +/- 135 degrees.

Applications

- Theatre lighting
- Episcopy and theatre lighting
- Theatre downlighting
- Film and slide projectors



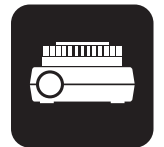
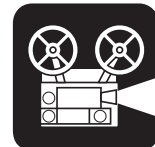
437E/01 E27



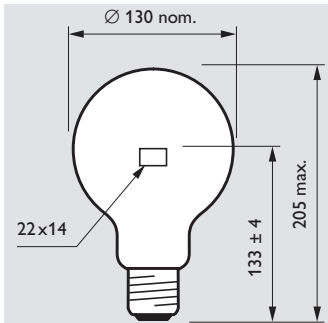
161G/02 E40



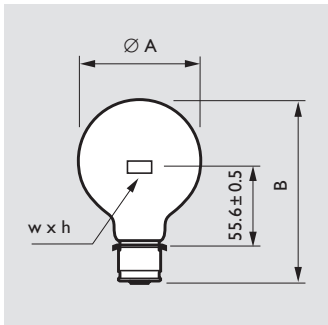
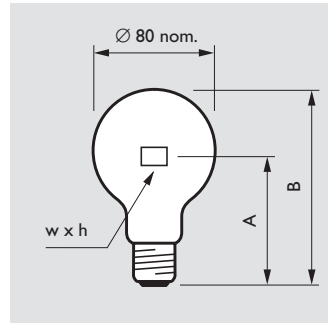
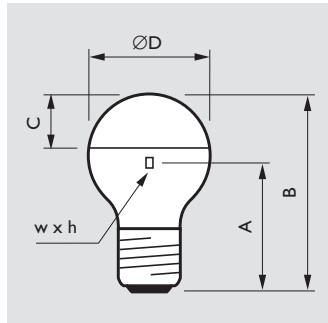
422E/01



Dimensions in mm

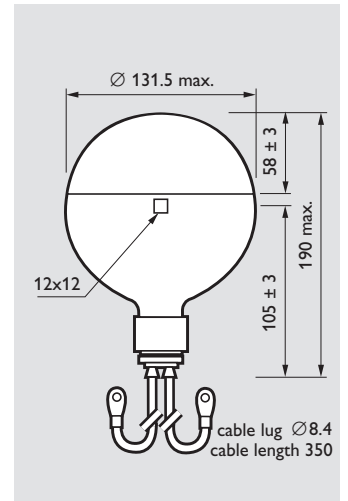


6023G/01 E40



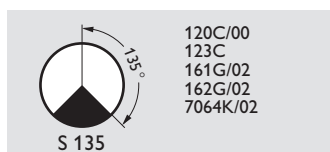
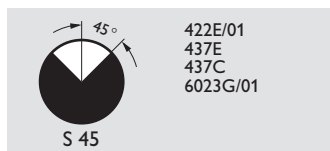
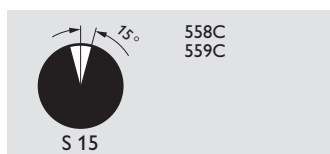
Type	A	B	C	D	w x h
Cap/base E40	max.	nom.			
161G/02	85±3	130	35±2	80	4.5x7.0
162G/02	108±3	168	50±1	110	8.0x8.0

Type	A	B	w x h
Cap/base E27	max.		
422E/01	70±3	115	16 x 10
437E/00, 437E/01	85±3	129	17 x 12



7064K/02 K39d

Type	A	B	w x h
Cap/base P28s	nom.	max.	
120C	81	123	-
123C	81	124	-
437C/00, 437C/01	80	125	17 x 12
558C	80	121	16 x 8
559C	95	137	17 x 13



Burning positions

Type	W	V	Cap/ base	Finish	Lumen output lm	Correlated colour temperature K	Average lamp life h	Ordering number
100W								
120C/00	100W	220/230V	P28S	CLEAR	1050	2900	500	9223 333 43200
250W								
123C	250W	220/230V	P28S	CLEAR	3250	2900	500	9223 409 43200
161G/02	250W	24V	E40	TOP MIRROR	5500	3200	100	9223 417 20500
422E/01	250W	220V	E27	SIDE MIRROR	4400	2950	70	9222 801 42900
558C	250W	230V	P28S	CLEAR	4000	2900	200	9223 421 44200
558C	250W	240V	P28S	CLEAR	4000	3050	200	9223 421 45500
500W								
162G/02	500W	24V	E40	TOP MIRROR	12000	3200	50	9223 469 20500
437E/00	500W	220V	E27	CLEAR	10500	3050	100	9222 812 42900
437E/01	500W	220V	E27	SIDE MIRROR	10500	3050	70	9222 813 42900
437C/00	500W	230V	P28S	CLEAR	10500	3050	100	9222 814 44200
437C/01	500W	220V	P28S	SIDE MIRROR	10500	3050	70	9222 815 42900
559C	500W	230V	P28S	CLEAR	9700	3000	200	9223 471 44200
559C	500W	240V	P28S	CLEAR	9700	3000	200	9223 471 45500
1000W								
7064K/02	1000W	24V	K39d	TOP MIRROR	23000	3200	70	9223 499 20500
6023G/01	1000W	220V	E40	SIDE MIRROR	24000	3100	70	9223 122 42900