

VL150, VL300



VL650

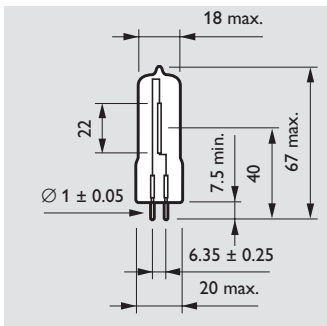


Fig. 2 - PF 810 G6.35

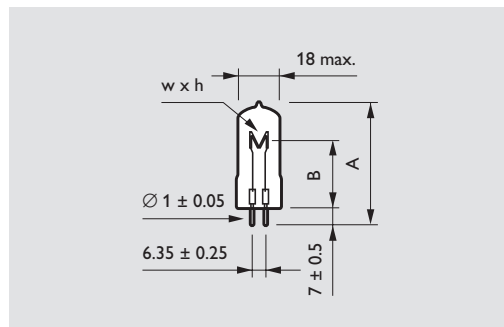


Fig. 3

Type	A max.	B	w x h
Cap/base GX6.35			
VL150 230V	54.0	30.0+/-3.0	8.0 x 7.0
VL150 240V	54.0	30.0+/-3.0	8.0 x 9.0
VL300 120V	56.0	31.5+/-3.0	8.0 x 7.0
VL300 230V/240V	56.0	31.5+/-3.0	8.0 x 9.0
PF808	56.0	31.5+/-3.0	8.0 x 9.0

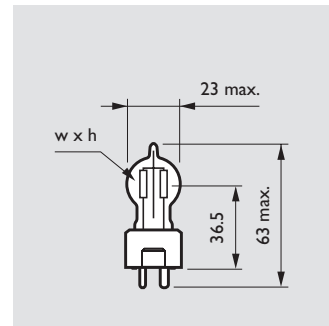


Fig. 1 - VL650 GZ9.5

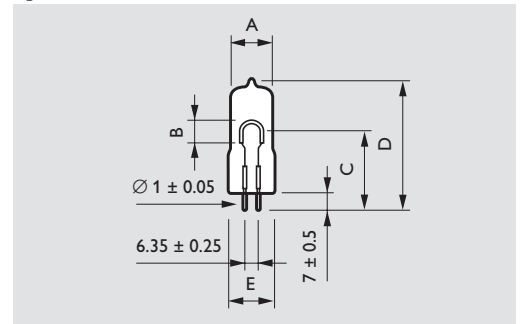


Fig. 4

Type	A max.	B	C	D max.	E max.
Cap/base GX6.35					
PF811	24.0	14.0	N.A.	67.5	25.0
PF813	23.0	15.0	N.A.	57.5	25.0



Single-ended lamps for video and film recording, photography and ENG (electronic news gathering). Their high and constant light output combined with the high colour temperature form the basis for making accurately exposed and attractive pictures. They are used in portable film and video lights, in reproduction cameras and in modelling lights for flash equipment.

Applications

- Portable film and video lights
- Reproduction cameras
- Modelling lights for flash equipment
- ENG (Electronic News Gathering)

Type	V	W	Cap/base	ANSI code	LIF code	Fig.	Filament shape *	Lumen output	Correlated colour temp	Burning position	Lamp life 50%	Maximum permissible base/pinch temp. degr.C	Maximum permissible bulb temp. degr.C	Ordering number
								lm	K		h			
VL 150	230V	150W	GX6.35	-	-	3	M	3750	3200	UNIVERSAL	20	400	900	9239 493 43200
VL 150	240V	150W	GX6.35	-	-	3	M	3750	3200	UNIVERSAL	20	400	900	9239 493 45700
PF 808	230V	300W	GX6.35	-	-	3	M	8550	3200	UNIVERSAL	15	450	900	9240 007 43200
VL 300	120V	300W	GX6.35	-	-	3	M	8700	3200	UNIVERSAL	20	400	900	9239 494 36300
VL 300	230V	300W	GX6.35	-	-	3	M	8550	3200	UNIVERSAL	20	400	900	9239 494 43200
VL 300	240V	300W	GX6.35	-	-	3	M	8550	3200	UNIVERSAL	20	400	900	9239 494 45700
VL 650	230V	650W	GZ9.5	DYR	A1/233	1	CC	17750	3200	UNIVERSAL	75	400	900	9245 081 44200
PF 810	230V	650W	G6.35	-	P1/14	2	CC	21100	3200	UNIVERSAL	15	400	900	9239 494 43200
PF 810	240V	650W	G6.35	-	P1/14	2	CC	21100	3200	UNIVERSAL	15	400	900	9238 751 45700
PF 813	230V	650W	GX6.35	BVM	P1/13	4	CC	20000	3400	UNIVERSAL	15	400	900	9238 760 43200
PF 813	240V	650W	GX6.35	BVM	P1/13	4	CC	20000	3400	UNIVERSAL	15	400	900	9238 760 45700
PF 811	230V	1000W	GX6.35	EGY	P1/15	4	CC	33000	3400	UNIVERSAL	15	400	900	9238 756 43200
PF 811	240V	1000W	GX6.35	EGY	P1/15	4	CC	33000	3400	UNIVERSAL	15	400	900	9238 756 45700

* CC= Coiled coil
M= M-shaped