

Special H.I.D. lamps

Blacklight blue HPW and MLW

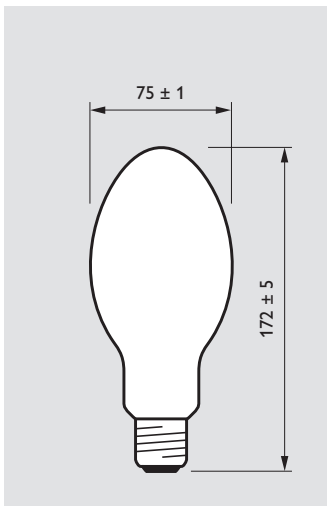


The ability of ultraviolet radiation to excite fluorescence is used in a great many applications to reveal properties of materials that would otherwise remain hidden. Blacklight blue lamps are short-arc high-pressure mercury discharge lamps or glow-discharge lamps emitting ultraviolet radiation in the 340-380nm range to excite luminescence.

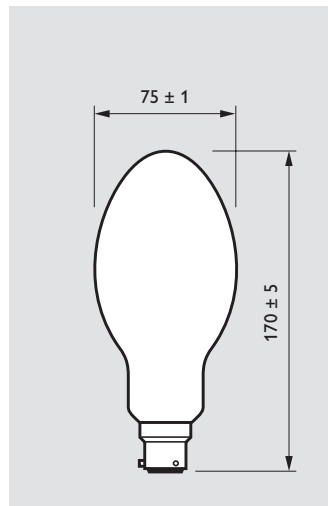
The burning position of Blacklight blue lamps is universal, except for MLW 160W (vertical +/- 75 degrees).

Applications

- Testing, inspection and analysis in food and textile industry, archeology, criminology, philately, darkrooms, metallurgy, chemistry and medicine.
- Discos, nightclubs, theatres.
- Sign lighting.

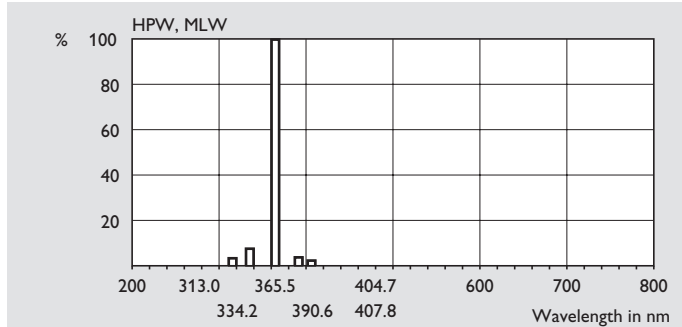


E27



B22D-3

Dimensions in mm



Spectral power distribution

Type	W	Cap/ base	Burning position	Lamp life 50% h	Minimum ignition supply voltage V	Lamp current A	Maximum permissible base/pinch temperature degr.C	Maximum permissible bulb temperature degr.C	Ordering number	
HPW										
HPW	125W	T	B22D-3	UNIVERSAL	2000	180	1.15	200	350	8222 341 38200
HPW	125W	T	E27	UNIVERSAL	2000	180	1.15	200	350	8222 341 27300
HPW	125W	TS	E27	UNIVERSAL	2000	180	1.15	200	350	8222 341 37600
MLW										
MLW	160W		E27	S75	2000	180	0.73	200	410	9281 041 59400

