

Special fluorescent lamps

Blacklight blue



'TL'D

Low-pressure mercury vapour discharge lamps. The inner envelope is coated with a fluorescent powder, emitting long wave UV radiation to excite luminescence. The dark blue glass envelope transmits UV-A radiation, but only minimum visible radiation, as the latter would interfere with luminescence.

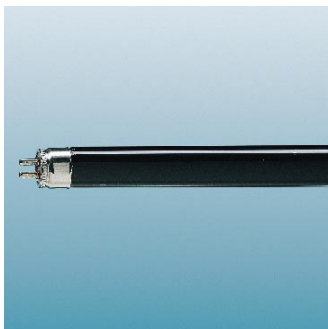
'TL'(D)/08 'Blacklight Blue' lamps have a straight outer envelope, and operate on AC mains supply via a ballast and a starter.

The PL-S 9W/08 lamp consists of two single-ended fluorescent tubes melted together; the PL-S 9W 2P lamp base contains a specially

adapted starter, providing instant starting characteristics.

Applications

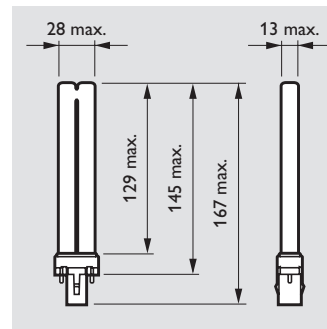
- Detection and analysis in the textile and chemical industry.
- Archaeology.
- Banking.
- Criminology.
- Food industry.
- Medicine.
- Mineralogy.
- Philately.
- Special effects in nightclubs, discos and theatres.
- Sign lighting.



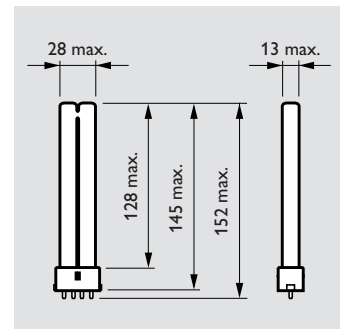
'TL' Miniature



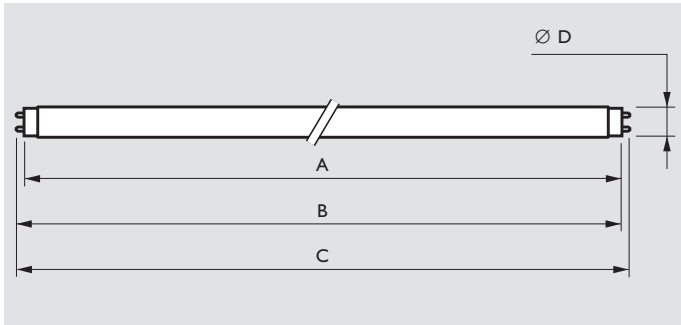
PL-S 9W



PL-S 9W 2P



PL-S 9W 4P



Dimensions in mm

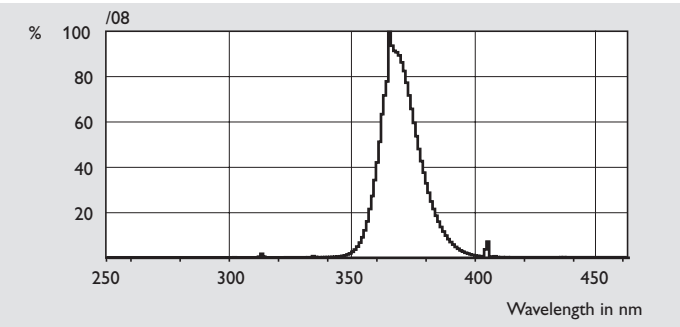
Type	A max.	B min.	B max.	C max.	D max.
Cap/base G5					
'TL' 4W	135.9	140.6	143.0	150.1	16.0
'TL' 6W	212.1	216.8	219.2	226.3	16.0
'TL' 8W	288.3	293.0	295.4	302.5	16.0
Cap/base G13					
'TL'D 15W	437.4	442.1	444.5	451.6	28.0
'TL'D 18W	589.8	594.5	596.9	604.0	28.0
'TL'D 30W	894.6	899.3	901.7	908.8	28.0
'TL'D 36W	1199.4	1204.1	1206.5	1213.6	28.0

Type	Cap/base	Lamp voltage V	Lamp current A	Lamp wattage W	UV-A radiation W	Depreciation 2000 hrs %	Nett weight g	Ordering number
/08								
'TL' 4W /08	G5	29	0.17	4	0.5	25	16	9280 000 00800
'TL' 6W /08	G5	42	0.16	6	0.9	25	33	9280 005 00800
'TL' 8W /08	G5	56	0.15	8	1.2	25	44	9280 010 00800
'TL'D 15W /08	G13	51	0.34	15	3.1	25	76	9280 248 00800
'TL'D 18W /08	G13	59	0.36	18	3.5	25	122	9280 480 00800
'TL'D 30W /08	G13	98	0.36	30	6.0	25	181	9280 254 00800
'TL'D 36W /08	G13	103	0.44	36	8.0	25	232	9280 485 00800
/08								
PL-S 9W /08 2P	G23	60	0.17	9	1.7	25	41	9279 017 00800
PL-S 9W /08 4P	2G7	60	0.17	9	1.7	25	41	9279 019 00800



Special fluorescent lamps

Blacklight blue



Spectral power distribution

