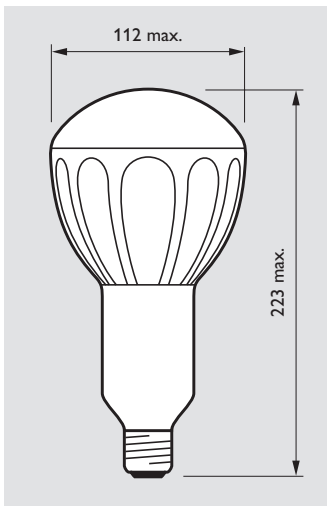


# Special H.I.D. lamps

# Reprography - HPR Reflector UV



Dimensions in mm

High-pressure mercury vapour lamp with built-in reflector and diffusing front glass, emitting radiation mainly between 300 and 400 nm.

The HPR lamp is designed to provide a simple and cost-effective system solution for the homogeneous irradiation of small surfaces with UVA:

- Homogeneous beam by internal reflector and diffusing front glass, avoiding the cost of an external reflector unit.
- No external cooling needed.
- Easy-to-obtain standard E27 socket.
- See "Buyer's guide to lamp control gear" for a vast range of impregnated or encapsulated BHL 125L.. ballasts for 220.. 240 V.
- No ignitor needed.
- Universal burning position.
- No ozone production.

The HPR lamp has a sturdy construction, a long lifetime and a good UV maintenance.

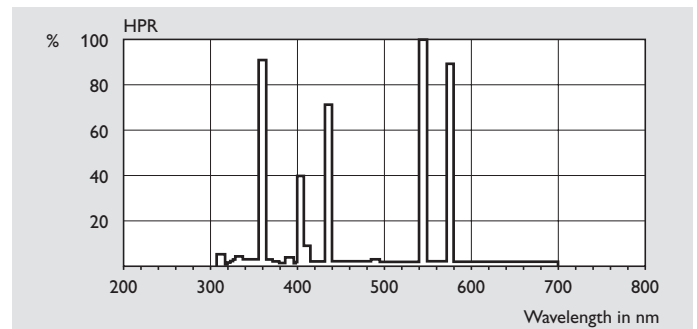
Avoid direct exposure of skin and eyes. The UVA is sufficiently blocked by normal window glass.

### Applications

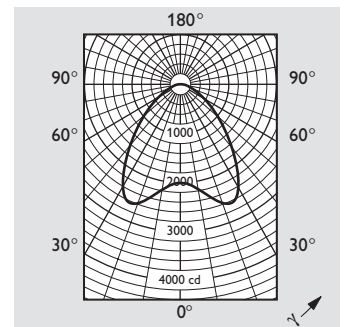
UV-sensitive processes such as:

- Reprography: contact copying, production of offset plates and printed circuit boards.
- UV curing of glue, lacquer and ink.

Creation of sparkling lighting effects in shop windows, especially on jewellery. Fitted with a Wood's glass filter; it can be used as a blacklight blue lamp.



Spectral power distribution



Light distribution

Type	Cap/ base	Lamp current	Maximum permissible base/pinch temperature degr:C	Maximum permissible bulb temperature degr:C	Lamp life	Nett weight	Ordering number
		A			h	g	
HPR HPR 125W	E27	1.15	200	350	2000	220	9280 646 09800

