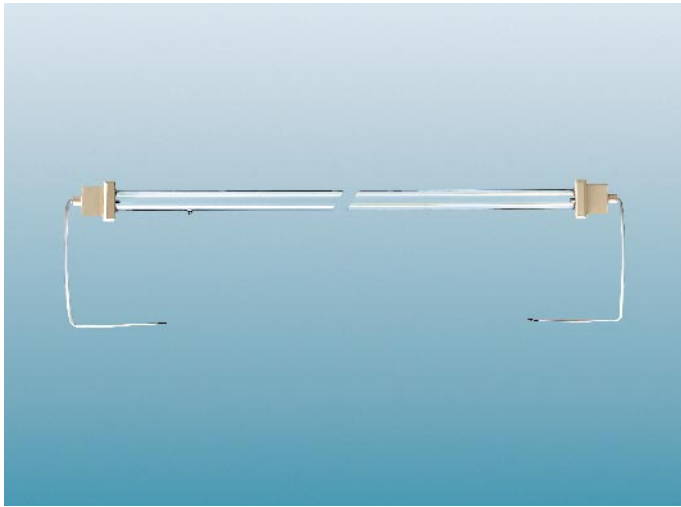


Special H.I.D. lamps

HOK Curing/disinfection 80-120 W



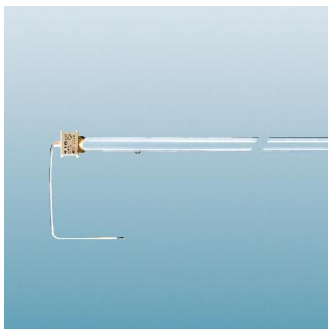
HOK 80/120

Long-arc medium-pressure high-power mercury radiators consisting of a double-ended quartz discharge tube filled with mercury, and emitting UV-C radiation. Up to 2 kW lamp power, a choke and ignitor can be used. For higher power levels a transformer-type circuit is needed. HOK /80 and /120 lamps can be loaded up to 80 and 120 W per cm of arc length resp. (/120 lamps are recommended because they allow for more flexibility in the process).

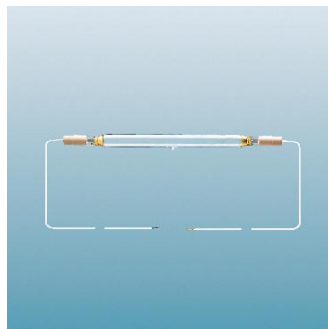
Forced air ventilation is required to remove the ozone produced by HOK lamps. Burning position: horizontal +/- 10 degrees for all HOK lamps except for HOK 4/120 (horizontal +/- 180 degrees) and HOK 4/120 SE (universal).

Applications

- Curing of lacquers, paints and inks
- Disinfection of waste water
- Chemical processes involving ultraviolet radiation
- Label printing



HOK 80/80

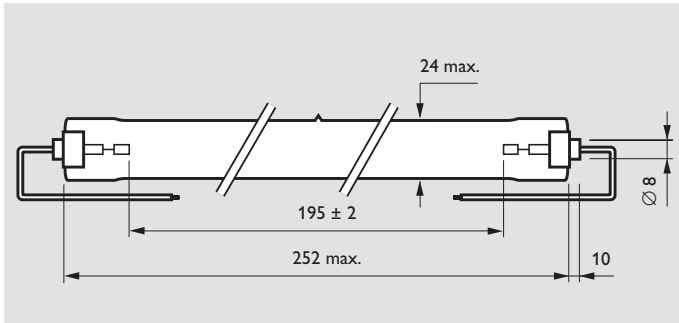


HOK 20/120 L

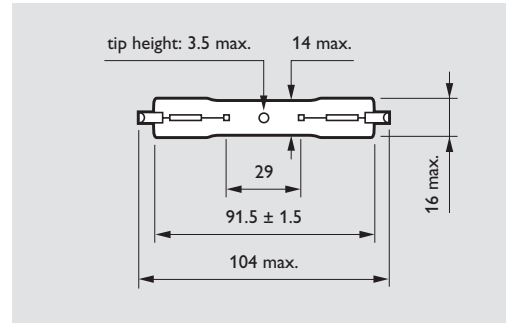


HOK 4/120 SE

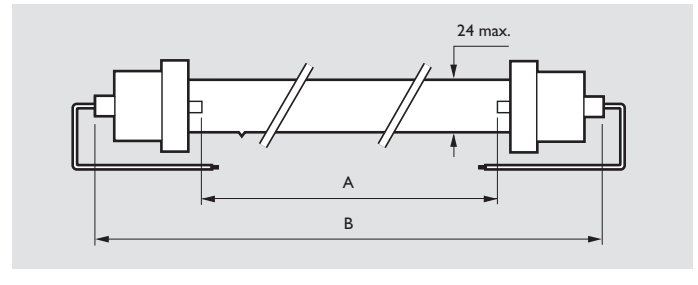
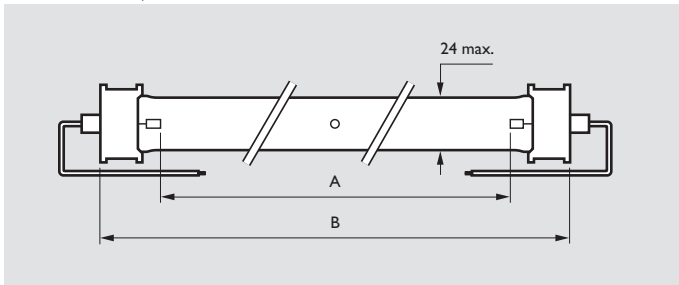
Dimensions in mm



HOK 20/100 Cap/cable



HOK 4/120 R7s-21



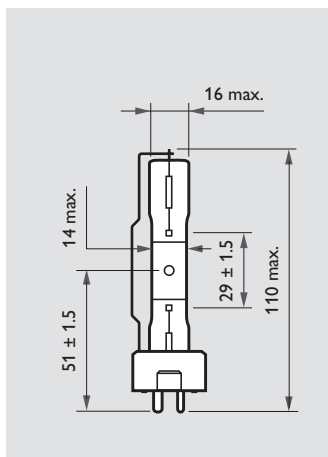
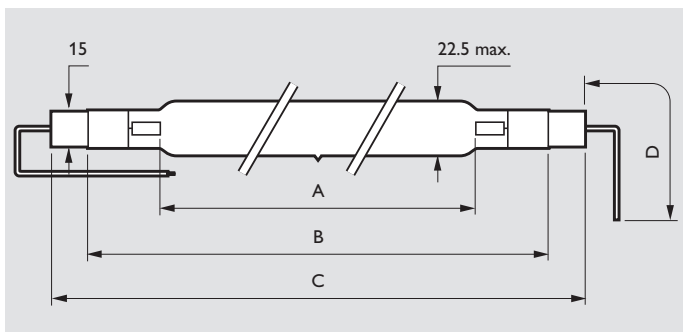
Type	A	B max.
Cap/base SK32		
HOK 35/80	355.0±2.0	422.0
HOK 65/80	650.0±2.0	716.0
HOK 80/80	813.0±2.0	874.0
HOK 105/80	1065.0±2.0	1136.0
HOK 140/80	1415.0±2.0	1486.0

Type	A max.	B max.
Cap/base SK32/28x38		
HOK 35/120	348.0±2.0	428.0
HOK 50/120	500.0±2.0	580.0
HOK 65/120	637.0±2.0	717.0
HOK 80/120	800.0±2.0	880.0
HOK 105/120	1057.0±2.0	1137.0
HOK 140/120	1407.0±2.0	1487.0



Special H.I.D. lamps

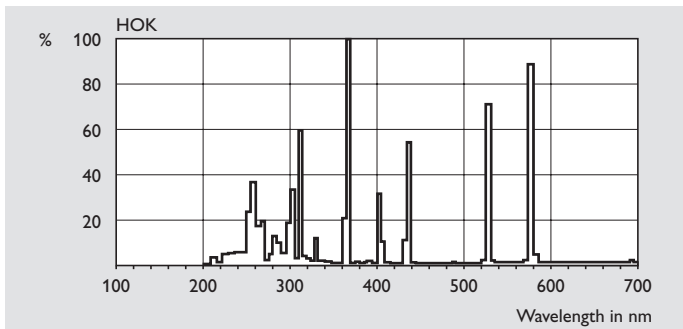
HOK Curing/disinfection 80-120 W



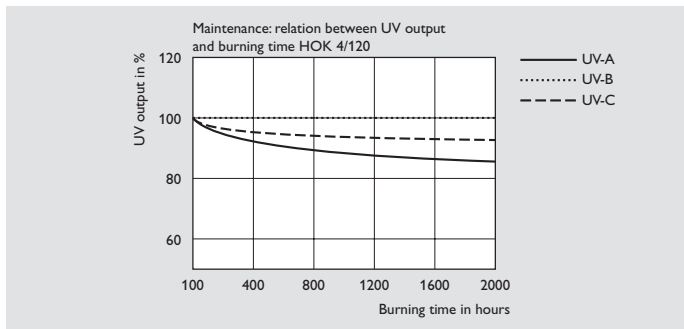
HOK 4/120 SE GY9.5

Dimensions in mm

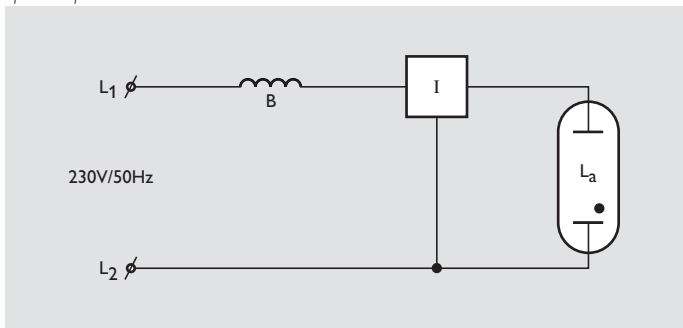
Type	A nom.	B nom.	C max.	D nom.
HOK 20/120L	210.0	300.0	330.0	650.0
HOK 25/120L	245.0	330.0	360.0	95.0



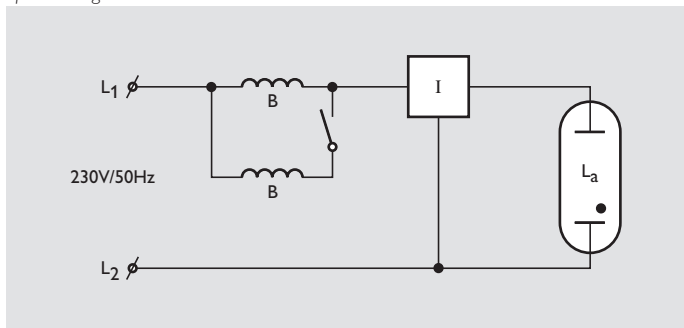
Spectral power distribution



Special diagram



Circuit diagrams



Type	Cap/ base	Lamp wattage W	Lamp current A	Dimming	Lamp life 50% h	Maximum permissible base/pinch temperature degr.C	Maximum permissible bulb temperature degr.C	Nett weight g	Ordering number
HOK CURING/DISINFECTION 80-120W									
HOK 105/120	SK32/28*38	12400	9.90	Y	1000	300	900	319	9281 896 05100
HOK 105/80	SK32	8300	6.70	N		300	900	319	9281 887 05100
HOK 140/120	SK32/28*38	17000	10.00	Y	1000	300	900	400	9281 898 05100
HOK 140/80	SK32	11000	6.50	N		300	900	400	9281 888 05100
HOK 20/100	CAP/CABLE	2100	9.60	Y	1000	300	900	75	9281 882 05100
HOK 20/120LFC35/16+CABLE		2000	9.00	Y	1000	300	900	95	9281 869 05100
HOK 25/120L	CAP/CABLE	2000	10.00	Y		300	900	101	9281 868 05100
HOK 35/120	SK32/28*38	4300	10.30	N	1000	300	900	156	9281 883 05100
HOK 35/80	SK32	2850	6.50	Y	1000	300	900	156	8222 341 25700
HOK 4/120	R7S-21	400	3.50	Y	1000	350	950	12	9281 864 05100
HOK 4/120SE	"GY9,5"	400	3.50	Y	1000	350	950	21	9281 865 05100
HOK 50/120	SK32/28*38	6000	10.00	Y	1000	300	900	191	9281 884 05100
HOK 65/120	SK32/28*38	7800	10.30	Y	1000	300	900	224	9281 892 05100
HOK 65/80	SK32	5000	6.60	Y	1000	300	900	224	9281 886 05100
HOK 80/120	SK32/28*38	9600	10.50	Y	1000	300	900	261	9281 893 05100
HOK 80/80	SK32	6400	7.00	N		300	900	261	9281 889 05100

