



MHD 200 MK1



MHD 200 HR



MSR-R 400/P

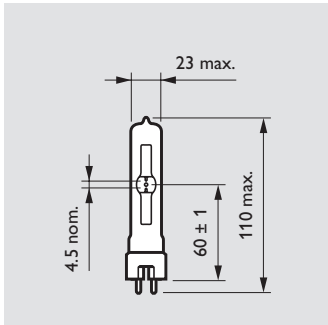


Fig. 1

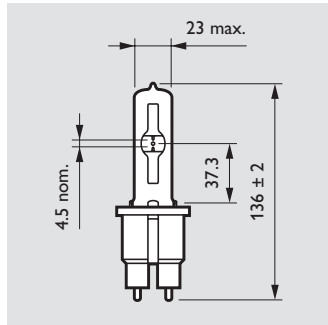


Fig. 2

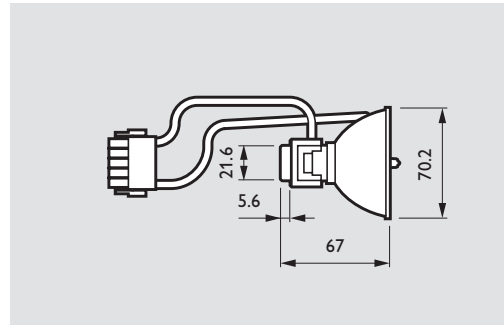


Fig. 3

Dimensions in mm

MHD lamps are high-pressure metal halide gas-discharge lamps. They combine the high luminous efficacy and excellent colour characteristics of the metal halide lamps with small arc dimensions and high luminance. Their small quartz envelope is designed for optimum light collection efficiency.

In view of potential explosion risk, these lamps must always be operated in enclosed luminaires, although cold lamps are safe to handle.

LCD projection lamps have a burning position of horizontal +/- 5 degs.

Applications

- Specially developed for LCD projection.

Type	W	Cap/base	Fig.	Lumen output	Efficacy source	Chromaticity coordinate x	Chromaticity coordinate y	Burning position	Lamp life 50%	Lamp current	Maximum permissible base/pinch temperature	Maximum permissible bulb temperature	Ordering number	
				lm	lm/W				h	A	degr:C	degr:C		
MHD	200W	HR	GZZ9.5	1	12500	62	323	320	P5	2000	3.17	350	600	9280 974 05100
MHD	200W	MK1	SPECIAL	2	12500	62	313	310	P5	2000	3.17	350	600	9280 803 06000
MSR-R 400/P			SPECIAL	3	28000	70	334	325	P45	400	8.4	450	1000	4281 714 00686