



Tubular or compact single-ended low-pressure mercury vapour fluorescent lamps emitting long-wave UV radiation between 350 and 400 nm.

The UV-B/UV-A ratio is less than 0.1% (UV-B: 280-315 nm).

R(Reflector) lamps have an internal reflector of 200°.

The PL-S 9W/10 lamp consists of two single-ended fluorescent tubes melted together; its lamp base contains a specially adapted starter; providing almost instant starting characteristics. PL-S 9W/10 lamps can operate on the same universal ballast as other PL-S lamps.

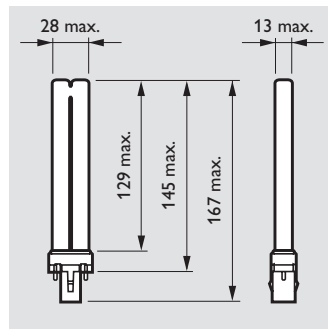
Note

UV can be harmful when used in the wrong way. To ensure safe use, the instructions of the equipment manufacturer should be closely followed.

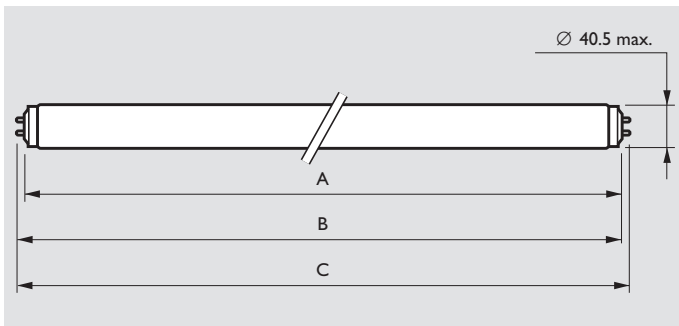
Applications

- Photopolymerisation processes.
- PL-S: insect traps.

TL'



PL-S 2P



Dimensions in mm

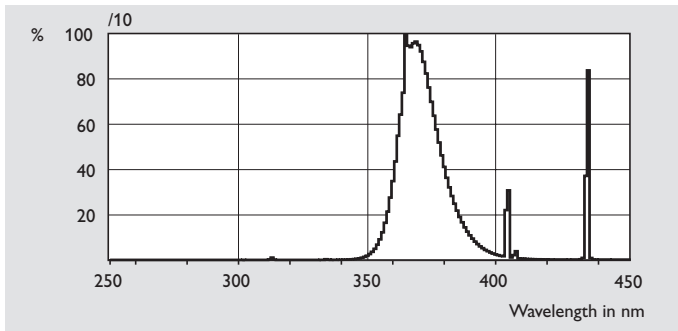
Type	A max.	B min.	B max.	C max.
'TL'K 40W R	598.8	594.5	596.9	604.0
'TL' 60W R	1199.4	1204.1	1206.5	1213.6
'TL' 80W R	1500.0	1504.7	1507.1	1514.2
'TL' 100W R	1763.8	1768.5	1770.9	1778.0
'TL' 140W (R)	1500.0	1504.7	1507.1	1514.2
'TL' 176D38 (R)	1778.0	1768.5	1770.9	1778.0

Type	Cap/ base	Lamp voltage V	Lamp current A	Lamp wattage W	UV-A radiation W	Useful life h	Depreciation 1000 hrs %	Nett weight g	Ordering number
/10 UV-A									
'TL'K 40W /10 -R	G13	50	0.86	40	7.4	1000	20	156	9280 041 01000
'TL' 60W /10 -R	G13	102	0.70	60	15.8	1000	20	292	9280 084 01000
'TL' 80W /10 -R	G13	110	0.83	80	20.5	1000	20	360	9280 059 01000
'TL' 100W /10 -R	G13	122	0.97	100	26.6	1000	20	410	9280 069 01000
'TL' 140W /10	G13	118	1.46	140	37.0	1000	20	360	9280 127 01000
'TL' 140W /10 -R	G13	118	1.46	142	28.0	500	45	360	9280 128 01000
'TL' 176D38 /10	G13	112	1.48	140	38.2	1000	20	410	9279 500 01000
'TL' 176D38 /10 -R	G13	112	1.48	140	31.7	1000	20	410	9279 501 01000
/10 UV-A									
PL-S 9W /10	G23	60	0.17	9	1.9	2000	20	41	9279 017 01000

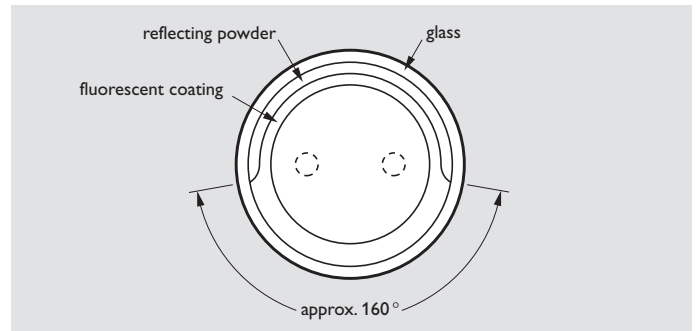


Special fluorescent lamps

/10 UV-A



Spectral power distribution



Cross-section R-version

