

Miniature and signalling lamps

Conventional airfield lighting



T32

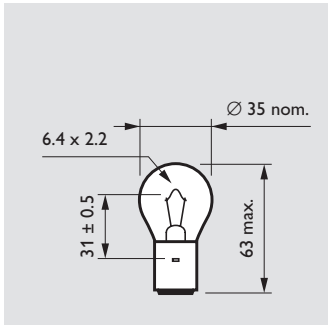


P35

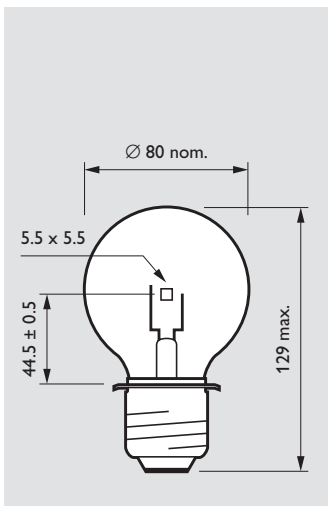
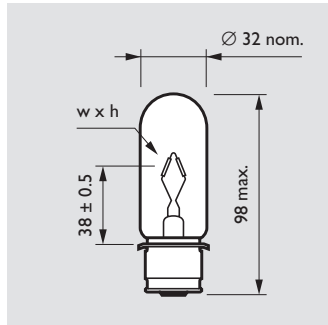


G80

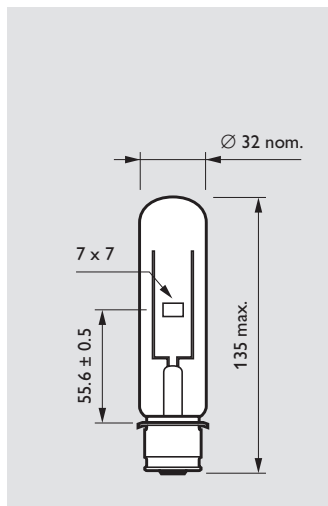
Dimensions in mm



P35 35W BA20s



G80 250W P40s

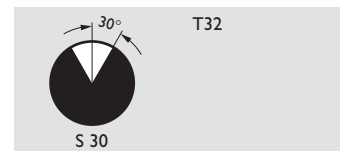
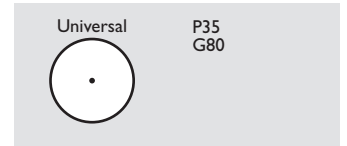


T32 210W P28s

Conventional airfield lamps are rugged lamps for series circuits, produced by advanced techniques to rigid quality-control standards. The burning positions of the various conventional airfield lamps are universal or base down +/- 30 degrees.

Applications

- Elevated approach, runway and taxiway lights
- Obstruction lights



Burning positions

Type	w x h
Cap/base P28s	
T32 30W	5.5 x 3.5
T32 45W	5.0 x 4.0
T32 100W	9.2 x 9.0

Type	W	V	Cap/base	Lumen output lm	Lamp life 100% h	Ordering number
30W						
T32	30W	4.5V	P28S	450	800	9224 000 85900
35W						
P35	35W	6V	BA20S	532	1000	9224 011 85500
45W						
T32	45W	6.5V	P28S	730	1000	9224 020 85900
100W						
T32	100W	15V	P28S	1850	1000	9224 049 85900
210W						
T32	210W	32V	P28S	4500	300	9224 185 85900
250W						
G80	250W	24V	P40S	5550	300	9224 055 20500

