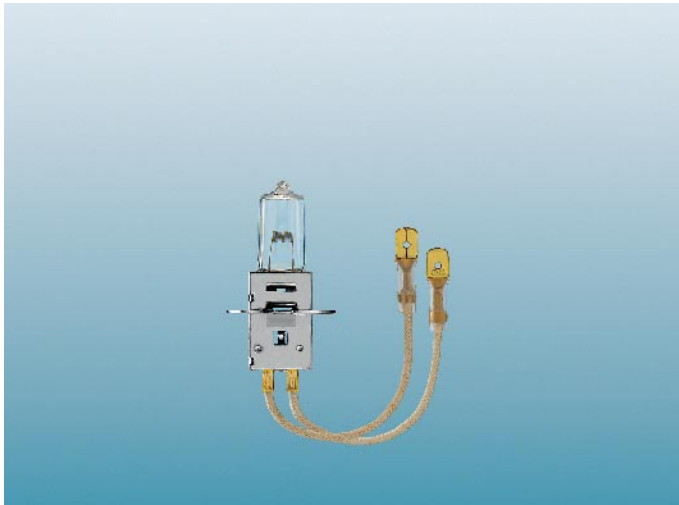


Miniature and signalling lamps

Halogen airfield lighting

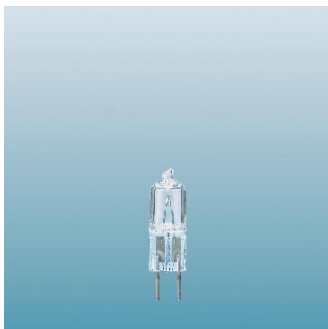


6312

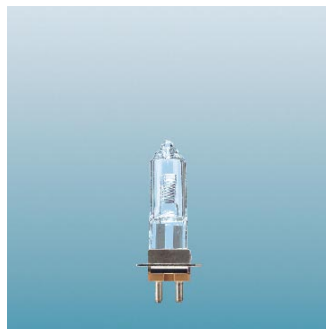
These are double-ended, bi-pin or series-circuit quartz halogen lamps offering the ideal combination of high luminous intensity and small physical size needed for airfield lighting. Halogen lighting's possibilities for compactness, reliability, long life, and bright and constant light output are fully exploited in this application. The burning positions of the various halogen airfield lamps are universal, base down +/-90 degrees or base down +/-105 degrees.

Applications

- Approach and threshold lights
- Runway centre-line, edge, taxiway and touchdown zone lights
- PAPI and VASIS approach systems



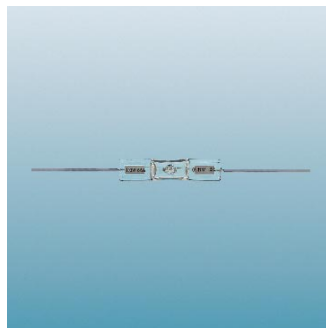
5981



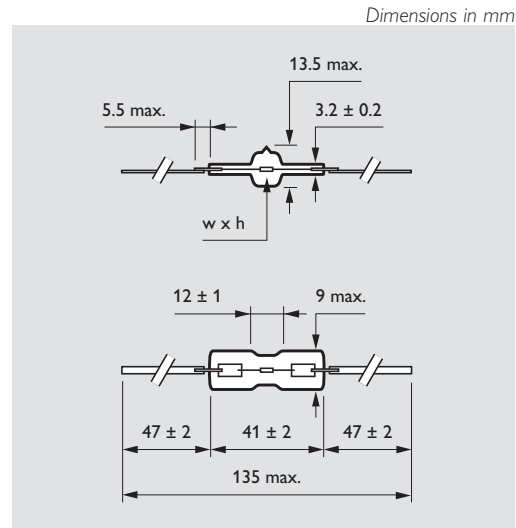
6283



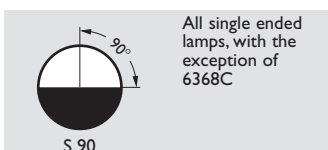
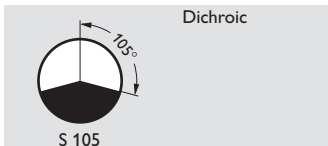
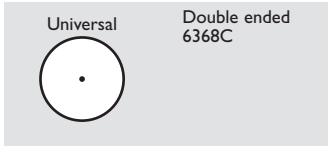
5996



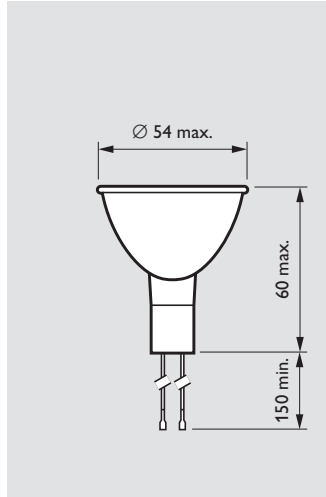
6941



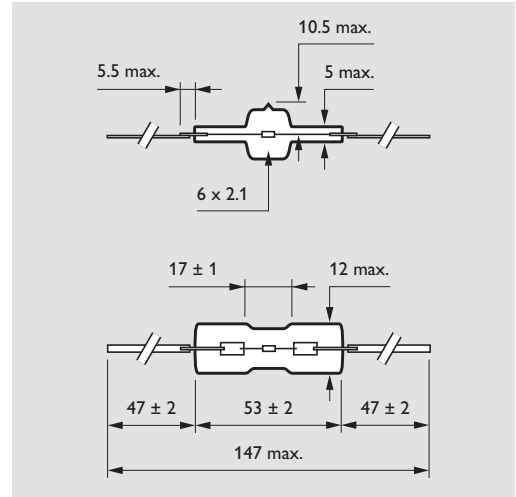
Type	w x h
Cap/base metal strips	
6926	4.1 x 1.22
6927	4.8 x 1.76



Burning positions



5996 Flexible cables

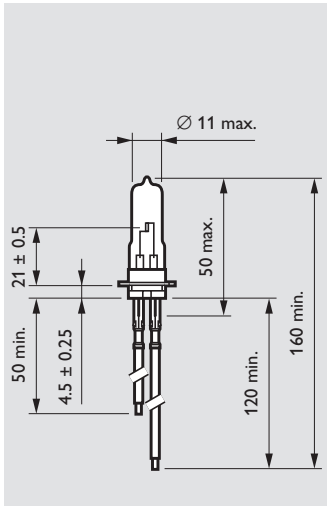


6941 Metal strips

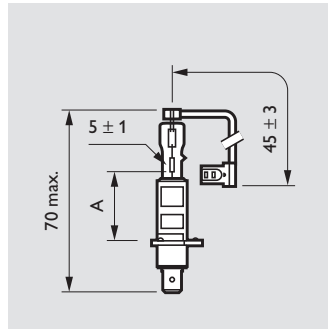


Miniature and signalling lamps

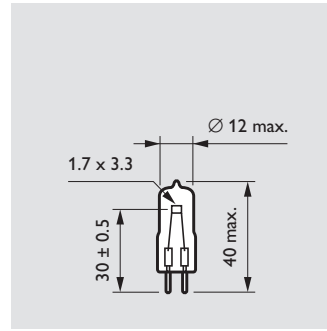
Halogen airfield lighting



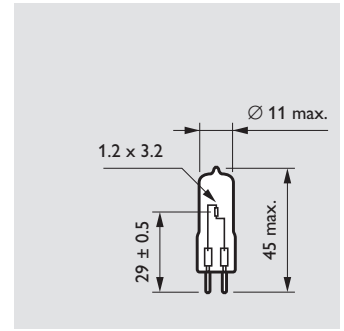
6384 Flexible cables



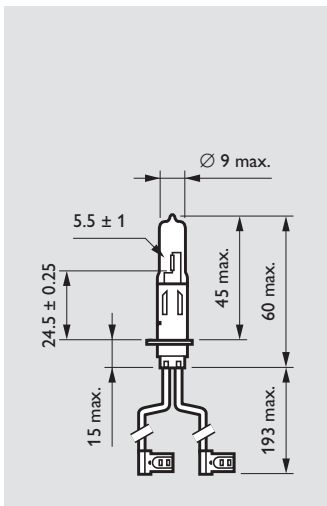
Type	A
Cap/base P18s	max.
6367C	25.0±0.25
6368C	24.5±0.25



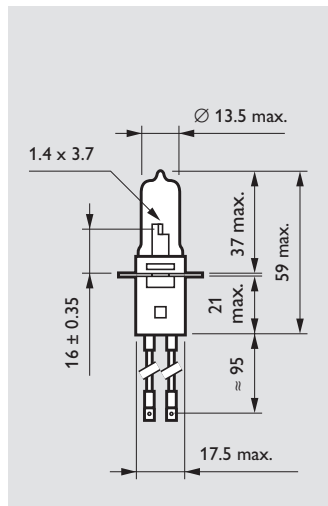
5981 G6.35



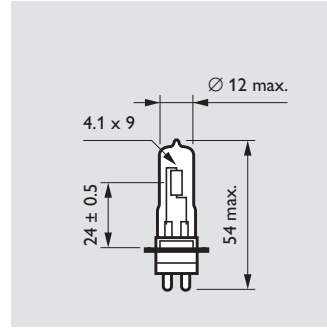
6287 GY6.35



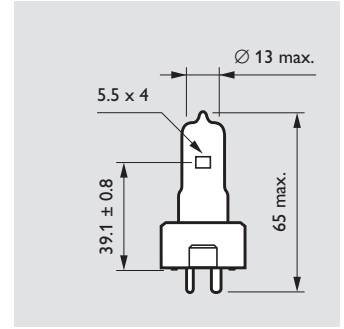
6371C PK18d



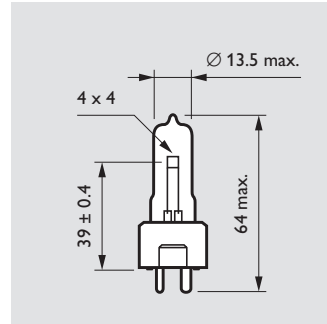
6303 PK30d



6283 PG22

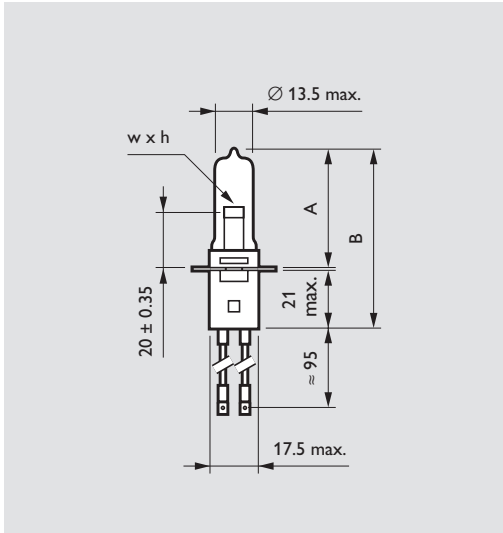


6292 GY9.5



6372 GZ9.5

Dimensions in mm



Type	A	B	w x h
Cap/base PK30d	max.	max.	
6312	41.0	63.0	5.2 x 3.1
6313	43.0	65.0	7.0 x 3.9

Type	A	W	Cap/base	Lumen output	Lamp life 50%	Ordering number
				lm	h	
DICHROIC						
5996	6.6A	53W	FLEXIBLE CABLES	NA	300	9238 973 85900
DOUBLE ENDED						
6926	6.6A	45W	METAL STRIPS	900	1000	9238 741 85900
6367C	6.6A	45W	P18S	900	1000	9238 703 85900
6927	6.6A	65W	METAL STRIPS	1300	1000	9238 742 85900
6941	6.6A	100W	METAL STRIPS	2200	1000	9238 833 85900
SINGLE ENDED						
6384	6A	36W	FLEXIBLE CABLES	600	750	9239 546 85700
6287	6A	36W	GY6.35	650	750	9238 802 85700
5981	6.6A	45W	G6.35	900	500	9238 806 85900
6303	6.6A	45W	PK30D	680	1000	9246 006 85900
6368C	6.6A	100W	P18S	2500	1000	9238 658 85900
6368C	6.6A	100W	P18S	2500	1000	9238 704 85900
6371C	6.6A	100W	PK18D	2500	1000	9239 339 85900
6312	6.6A	100W	PK30D	2545	1000	9246 007 85900
6292	6.6A	150W	GY9.5	3750	750	9238 994 85900
6372	6.6A	200W	GZ9.5	5000	500	9239 250 85900
6283	6.6A	200W	PG22	4800	1000	9238 963 85900
6313	6.6A	200W	PK30D	4440	1000	9246 008 85900

