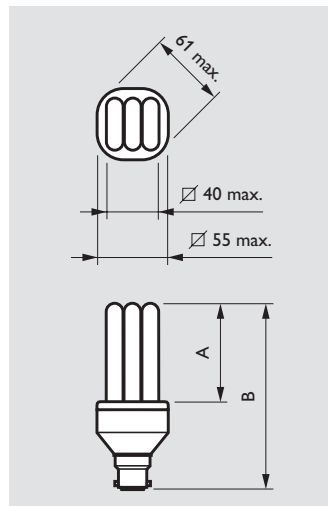


Dimensions in mm

Type	A max.	B max.
Cap/base E27		
PL E-T 15W	58	126
PL E-T 20W	77	145
PL E-T 23W	92	160



Type	A max.	B max.
Cap/base B22		
PL E-T 15W	58	126
PL E-T 20W	77	145
PL E-T 23W	92	160

Definition

The PL E-T Professional 12000 range is a full range of (non-covered) electronic energy-saving lamps, offering a low-weight, long-life alternative to incandescent lamps.

Description

The PL E-T range of electronic energy-saving lamps is available in 15W, 20W and 23W with E27/B22 cap. All types are available in colour temperature 2700K (warm white) as well as 6500K (cool daylight).

The electronic ballast of the PL E-T lamps incorporates an integrated circuit. This IC improves the independence of lamp life of a fast switching (provided off-time is not less than 10 seconds) and gives a starting time of less than 1 second. The influence of the mains voltage variation (10%) on the lamps luminous flux has become negligible (<5%).

The minimum mains voltage required for the lamp to ignite is 170V (AC) and for the lamp to function after ignition is 180V (AC). The light output after 1 minute is 70%. Average lamp life is 12 000 hours (10 000 hours for cool daylight types).

The lumen maintenance is 85% at 5000 hours and 75% at 12 000 hours. Energy consumption is approx. 80% less than the incandescent lamps they replace. PL E-T lamps are suitable for DC applications due to their low power consumption. For optimum performance the lamps must be operated at 300-340V DC.

The lamps will operate at lower voltages but with a reduced performance. The minimum voltage required for the lamp to ignite is 160V DC and the maximum allowed operating voltage is 355V DC.

The lamps are energy class A (B for cool daylight types) in the European energy efficiency labelling.

Applications

The PL E-T range of electronic energy-saving lamps is specified for professional use and they are suitable for replacing incandescent lamps in most professional luminaires. Due to their significant energy and cost saving benefits they are especially suitable for professional applications such as in restaurants, hotels and offices where lighting is required for longer periods of time or in places where lamp replacement is difficult. In outdoor applications enclosed fixtures are to be used to prevent moisture effecting the electronics in the base.

The recommended range of ambient temperatures is -15°C to +55°C for base up, and +5°C to +55°C for base down applications. Due to the use of amalgam technology, the light output is almost constant (>80%) over the recommended range of ambient temperatures. Average switch life is over 20 000 switches.

Philips PL E-T lamps are not suitable for applications in combination with electronic switches, photocells, timing devices or dusk-to-dawn sensors unless a 3-point switch is used (lamp is fully switched off from mains voltage) or for dimming.

Philips PL E-T lamps comply with IEC 968 (safety requirements), IEC 969 (performance requirements), and CE regulations (e.g. EN 55015 radio disturbance).

Range overview

Type	GLS equivalent	Wattage power consumption W	Cap/base	Voltage/ Frequency	Luminous flux lm	Luminous efficacy lm/W	Colour temperature K	CRI Ra	Lamp current mA	Power factor	Energy efficiency class	Average lamp life 50% h	Weight (max.) g		Ordering number
	W												W	V/Hz	
PL E-T	75	15	E27/ES	230-240V ~ 50-60 Hz	900	60	2700	82	130	0.5	A	12000	92	9297 401 90100	
PL E-T	100	20	E27/ES	230-240V ~ 50-60 Hz	1200	60	2700	82	155	0.55	A	12000	102	9297 411 90100	
PL E-T	100+25	23	E27/ES	230-240V ~ 50-60 Hz	1500	65	2700	82	175	0.55	A	12000	111	9297 421 90100	
PL E-T	75	15	E27/ES	230-240V ~ 50-60 Hz	800	53	6500	76	130	0.5	B	10000	92	9297 401 90500	
PL E-T	100	20	E27/ES	230-240V ~ 50-60 Hz	1100	55	6500	76	155	0.55	B	10000	102	9297 411 90500	
PL E-T	100+25	23	E27/ES	230-240V ~ 50-60 Hz	1350	59	6500	76	175	0.55	B	10000	111	9297 421 90500	
PL E-T	75	15	B22/BC	230-240V ~ 50-60 Hz	900	60	2700	82	130	0.5	A	12000	91	9297 402 90100	
PL E-T	100	20	B22/BC	230-240V ~ 50-60 Hz	1200	60	2700	82	155	0.55	A	12000	101	9297 412 90100	
PL E-T	100+25	23	B22/BC	230-240V ~ 50-60 Hz	1500	65	2700	82	175	0.55	A	12000	110	9297 422 90100	
PL E-T	75	15	B22/BC	230-240V ~ 50-60 Hz	800	53	6500	76	130	0.5	B	10000	91	9297 402 90500	
PL E-T	100	20	B22/BC	230-240V ~ 50-60 Hz	1100	55	6500	76	155	0.55	B	10000	101	9297 412 90500	
PL E-T	100+25	23	B22/BC	230-240V ~ 50-60 Hz	1350	59	6500	76	175	0.55	B	10000	110	9297 422 90500	

Packaging dimensions

Type	Packaging	Wattage	Width	Depth	Height	Content outer box
		W	mm	mm	mm	
PL E-T	Commercial pack	15	square 55	55	132	6
		20	square 55	55	152	6
		23	square 55	55	165	6

BMP overview

BMP	Destination	Commercial pack (C)	Europallet (e) Poolpallet (p)	Nordic languages										Other languages			
				Dutch	German	French	Italian	English	Portuguese	Spanish	Greek	Polish	Hungarian		Czech	Turkish	
84	Europe	C	E	x	x	x	x	x	x	x	x	x	x	x	x	x	
85	Europe	C	P	x	x	x	x	x	x	x	x	x	x	x	x		