



PL E-C 15W E27



PL E-C 11W E27



PL E-C 5W E14

Definition

The PL E-C Professional 12000 range is a full range of (non-covered) electronic energy-saving lamps, offering a low-weight, long-life alternative to incandescent lamps.

Description

The PL E-C range of electronic energy-saving lamps is available in 5W, 9W, 11W and 15W with E27/B22 cap, and 5W, 9W and 11W with E14 cap.

The colour temperature is 2700K (warm white) for all types, a few types are available in 6500K (cool daylight). The electronic ballast of the PL E-C lamps incorporates an integrated circuit.

This IC improves the independence of lamp life of a fast switching (provided off-time is not less than 10 seconds) and gives a starting time of less than 1 second. The influence of the mains voltage variation (10%) on the lamps luminous flux has become negligible (<5%). The minimum mains voltage required for the lamp to ignite is 170V (AC) and for the lamp to function after ignition is 180V (AC).

The light output after 1 minute is 80%. Average lamp life is 12 000 hours (10 000 hours for cool daylight types). The lumen maintenance is 85% at 5000 hours and 70% at 10 000 hours.

Energy consumption is approx. 80% less than the incandescent lamps they replace.

PL E-C lamps are suitable for DC applications due to their low power consumption. For optimum performance the lamps must be operated at 300-340V DC.

The lamps will operate at lower voltages but with a reduced performance. The minimum voltage required for the lamp to ignite is 160V DC and the maximum allowed operating voltage is 355V DC.

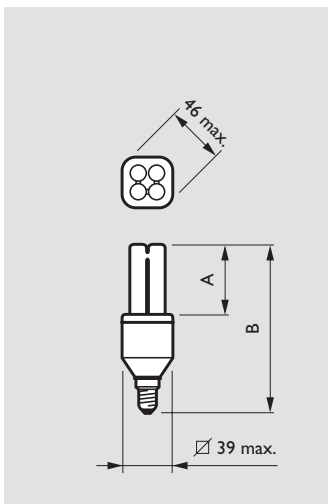
The lamps are energy class A (B for cool daylight types) in the European energy efficiency labelling.

Applications

The PL E-C range of electronic energy-saving lamps is specified for professional use and they are suitable for replacing incandescent lamps in most professional luminaires. Due to their significant energy and cost saving benefits they are especially suitable for professional applications such as in restaurants, hotels and offices where lighting is required for longer periods of time or in places where lamp replacement is difficult. In outdoor applications enclosed fixtures are to be used to prevent moisture affecting the electronics in the base. The recommended range of ambient temperatures is -5°C to +45°C for base up, and -5°C to +35°C for base down applications. Average switch life is over 20 000 switches.

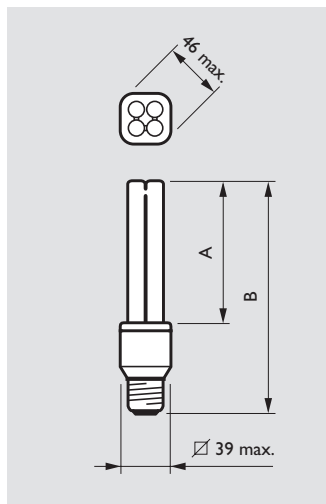
Philips PL E-C lamps are not suitable for applications in combination with electronic switches, photocells, timing devices or dusk-to-dawn sensors unless a 3-point switch is used (lamp is fully switched off from mains voltage) or for dimming.

Philips PL E-C lamps comply with IEC 968 (safety requirements), IEC 969 (performance requirements), and CE regulations (e.g. EN 55015 radio disturbance).

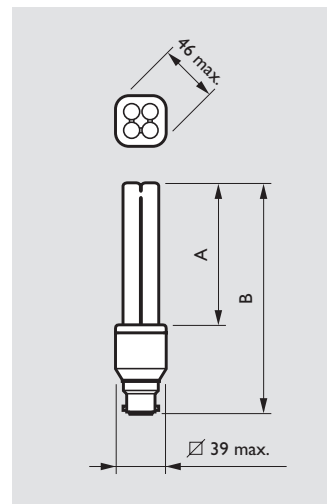


Dimensions in mm

Type	A max.	B max.
Cap/base E14		
PL E-C 5W	50	116
PL E-C 9W	50	116
PL E-C 11W	71	137



Type	A max.	B max.
Cap/base E27		
PL E-C 5W	50	113
PL E-C 9W	50	113
PL E-C 11W	71	134
PL E-C 15W	91	154



Type	A max.	B max.
Cap/base B22		
PL E-C 9W	50	113
PL E-C 11W	71	134
PL E-C 15W	91	154

Range overview

Type	GLS equivalent	Wattage power consumption	Cap/ base	Voltage/ Frequency	Luminous flux	Luminous efficacy	Colour temperature	CRI	Lamp current	Power factor	Energy efficiency class	Average lamp life 50%	Weight (max.)	Ordering number
	W	W		V/Hz	lm	lm/W	K	Ra	mA			h	g	
PL E-C	25	5	E27/ES	230-240V ~ 50-60 Hz	200	40	2700	82	45	0,5	A	12000	62	9297 391 30000
PL E-C	40	9	E27/ES	230-240V ~ 50-60 Hz	425	47	2700	82	65	0,6	A	12000	62	9297 361 30000
PL E-C	60	11	E27/ES	230-240V ~ 50-60 Hz	600	53	2700	82	80	0,6	A	12000	66	9297 371 30000
PL E-C	75	15	E27/ES	230-240V ~ 50-60 Hz	900	62	2700	82	95	0,65	A	12000	73	9297 381 30000
PL E-C	40	9	E27/ES	230-240V ~ 50-60 Hz	350	39	6500	78	65	0,6	B	10000	62	9297 361 32600
PL E-C	60	11	E27/ES	230-240V ~ 50-60 Hz	530	48	6500	78	80	0,6	B	10000	66	9297 371 32600
PL E-C	75	15	E27/ES	230-240V ~ 50-60 Hz	775	53	6500	78	95	0,65	B	10000	73	9297 381 32600
PL E-C	25	5	E14/SES	230-240V ~ 50-60 Hz	200	40	2700	82	45	0,5	A	12000	61	9297 394 30000
PL E-C	40	9	E14/SES	230-240V ~ 50-60 Hz	425	47	2700	82	65	0,6	A	12000	61	9297 364 30000
PL E-C	60	11	E14/SES	230-240V ~ 50-60 Hz	600	53	2700	82	80	0,6	A	12000	65	9297 374 30000
PL E-C	40	9	B22/BC	230-240V ~ 50-60 Hz	425	47	2700	82	65	0,6	A	12000	65	9297 362 30000
PL E-C	60	11	B22/BC	230-240V ~ 50-60 Hz	600	53	2700	82	80	0,6	A	12000	69	9297 372 30000
PL E-C	75	15	B22/BC	230-240V ~ 50-60 Hz	900	62	2700	82	95	0,65	A	12000	76	9297 382 30000
PL E-C	60	11	B22/BC	230-240V ~ 50-60 Hz	530	48	6500	78	80	0,6	B	10000	69	9297 372 32600
PL E-C	75	15	B22/BC	230-240V ~ 50-60 Hz	775	53	6500	78	95	0,65	B	10000	76	9297 382 32600

Packaging dimensions

Type	Packaging	Wattage	Width	Depth	Height	Content outer
		W	mm	mm	mm	box
PL E-C	Commercial pack	5	square 40	40	118	6
		9	square 40	40	118	6
		11	square 40	40	139	6
		15	square 40	40	156	6

BMP overview

BMP	Destination	Commercial pack (C)	Europallet (e) Poolpallet (p)	Nordic languages	Dutch	German	French	Italian	English	Portuguese	Spanish	Greek	Polish	Hungarian	Czech	Turkish	Other languages
84	Europe	C	E	x	x	x	x	x	x	x	x	x	x	x			
85	Europe	C	P	x	x	x	x	x	x	x	x	x	x	x			