



The PL-S/4p range of lamps forms part of the compact fluorescent non-integrated family of lamps.

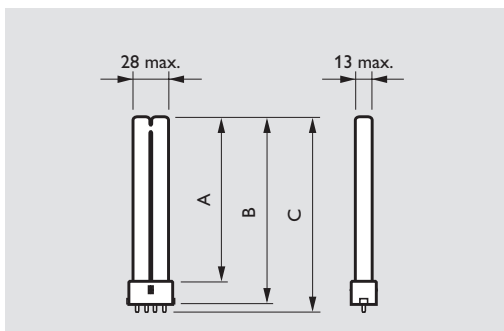
Compact long-arc low-pressure mercury discharge lamp with a clear glass envelope consisting of two parallel narrow fluorescent tubes welded together near the ends. It has a four-pin base without the special instant starter and capacitor. It is equipped with two pre-heated tungsten electrodes and filled with a mixture of saturated mercury vapour and an inert buffer gas.

This lamp is well adapted to be used in combination with electronic gear; offering the possibility of controllable light output, HF operation and independence from the supply system. It is, for instance, possible to use AC and DC supply and a wide range of supply voltages. Dimming is possible.

The lamp characteristics are influenced by operating conditions and control gear used. The lamp performance is strongly governed by the temperature of the coolest spot, which is influenced by the lamp position.

Applications

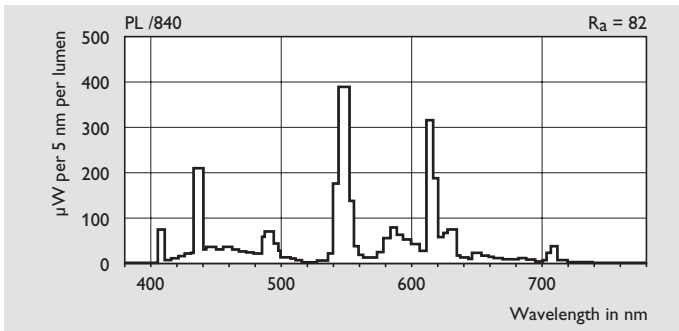
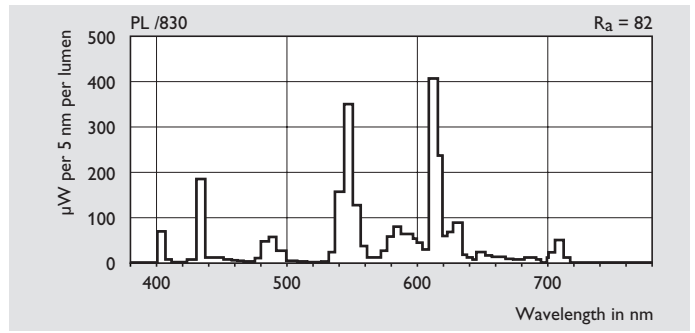
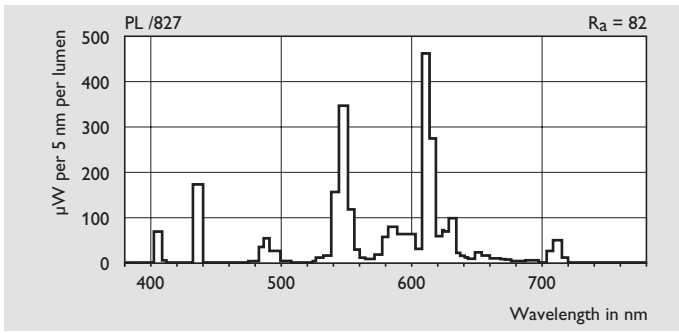
- Hotels, restaurants, homes and theatres.
- Signs, corridors, security and orientation lighting.



Dimensions in mm

Type	A max.	B max.	C max.
PL-S/4p 5W	66	83	90
PL-S/4p 7W	96	113	120
PL-S/4p 9W	128	145	152
PL-S/4p 11W	196	214	220

Type	Cap/ base	Lamp voltage	Lamp wattage	Lamp current	Lumen output	Efficacy	Correlated colour temperature	Chromat. coordinate	Chromat. coordinate	Colour designation	Lumen maint. 2000hrs	Lumen maint. 5000hrs	Nett weight	Ordering number
		V	W	mA	lm	lm/W	K	x	y		%	%	g	
/827														
PL-S/4P 5W	2G7	27	5.0	190	250	50	2700	455	417	INCAND.LIGHT	85	75	27	9279 007 08200
PL-S/4P 7W	2G7	37	6.5	175	400	61	2700	455	417	INCAND.LIGHT	90	80	35	9279 013 08200
PL-S/4P 9W	2G7	48	8.0	170	600	75	2700	455	417	INCAND.LIGHT	90	85	41	9279 019 08200
PL-S/4P 11W	2G7	75	11.0	150	900	82	2700	455	417	INCAND.LIGHT	95	90	58	9279 025 08200
/830														
PL-S/4P 7W	2G7	37	6.5	175	400	61	3000	436	401	WARM WHITE	90	80	35	9279 013 08300
PL-S/4P 9W	2G7	48	8.0	170	600	75	3000	436	401	WARM WHITE	90	85	41	9279 019 08300
PL-S/4P 11W	2G7	75	11.0	150	900	82	3000	436	401	WARM WHITE	95	90	58	9279 025 08300
/840														
PL-S/4P 5W	2G7	27	5.0	190	250	50	4000	381	379	COOL WHITE	85	75	27	9279 007 08400
PL-S/4P 7W	2G7	37	6.5	175	400	61	4000	381	379	COOL WHITE	90	80	35	9279 013 08400
PL-S/4P 9W	2G7	48	8.0	170	600	75	4000	381	379	COOL WHITE	90	85	41	9279 019 08400
PL-S/4P 11W	2G7	75	11.0	150	900	82	4000	381	379	COOL WHITE	95	90	58	9279 025 08400



Spectral power distributions