



The PL-T/2p range of lamps forms part of the compact fluorescent non-integrated family of lamps.

Compact long-arc low-pressure mercury discharge lamp with a clear glass envelope consisting of three parallel narrow fluorescent tubes welded together at the bottom. It has a two-pin base with a housing incorporating the special instant starter and capacitor.

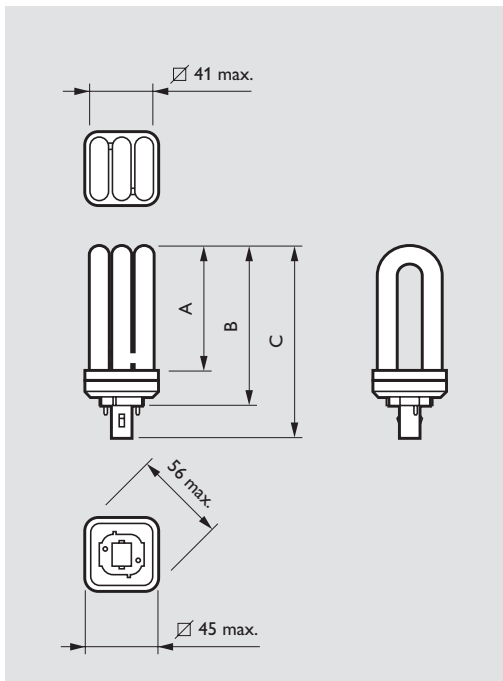
It is equipped with two pre-heated tungsten electrodes and filled with a mixture of saturated mercury (amalgam) vapour and an inert buffer gas.

They incorporate a special instant starter and capacitor and operate on conventional ballasts. Dimming is not possible.

The lamp characteristics are influenced by operating conditions and control gear used. A radio-interference suppression capacitor is installed.

### Applications

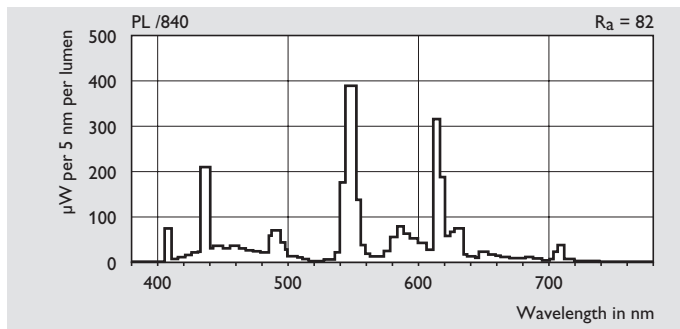
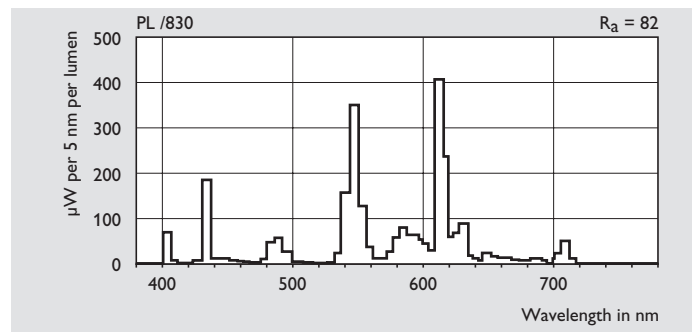
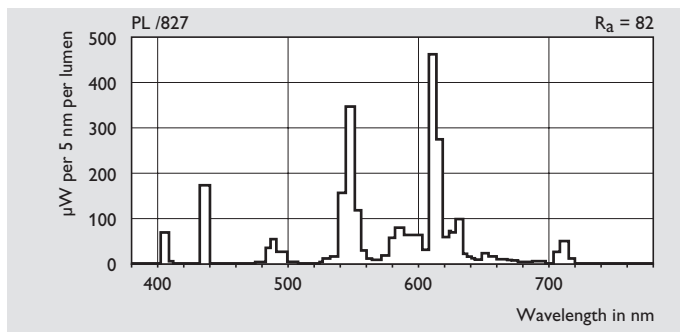
- General or supplementary lighting in professional environments.
- Recessed or surface-mounted downlighters and wall units.
- Outdoor lighting.



Dimensions in mm

Type	A max.	B max.	C max.
PL-T/2p 18W GX24d-2	77	102	124
PL-T/2p 26W GX24d-3	87	112	134

Type	Cap/ base	Lamp voltage	Lamp current	Lumen output	Efficacy lm/W	Correlated colour temperature K	Chromat. coordinate x	Chromat. coordinate y	Colour designation	Lumen maint. 2000hrs %	Lumen maint. 5000hrs %	Nett weight g	Ordering number
<b>/827</b>													
PL-T/2P 18W	GX24D-2	100	220	1200	67	2700	455	417	INCANDLIGHT	90	80	70	9279 101 08200
PL-T/2P 26W	GX24D-3	105	325	1800	69	2700	455	417	INCANDLIGHT	90	80	75	9279 111 08200
<b>/830</b>													
PL-T/2P 18W	GX24D-2	100	220	1200	67	3000	434	397	WARM WHITE	90	80	70	9279 101 08300
PL-T/2P 26W	GX24D-3	105	325	1800	69	3000	434	397	WARM WHITE	90	80	75	9279 111 08300
<b>/840</b>													
PL-T/2P 18W	GX24D-2	100	220	1200	67	4000	380	379	COOL WHITE	90	80	70	9279 101 08400
PL-T/2P 26W	GX24D-3	105	325	1800	69	4000	380	379	COOL WHITE	90	80	75	9279 111 08400



Spectral power distributions