



The PL-T/4p range of lamps forms part of the compact fluorescent non-integrated family of lamps.

Compact long-arc low-pressure mercury discharge lamp with a clear glass envelope consisting of three parallel narrow fluorescent tubes welded together at the bottom. Four-pin base without the starter and capacitor for electronic operation.

It is equipped with two pre-heated tungsten electrodes and filled with a mixture of saturated mercury (amalgam) vapour and an inert buffer gas.

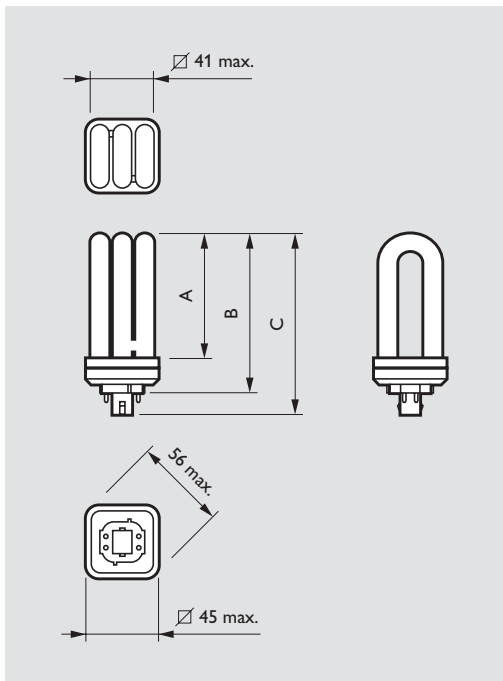
Well adapted to be used in combination with electronic gear, offering the possibility of controllable light output, HF operation and independence from the supply system. It is, for instance, possible to use AC and DC supply and a wide range of supply voltages.

Dimming is possible.

The lamp characteristics are influenced by operating conditions and control gear used.

Applications

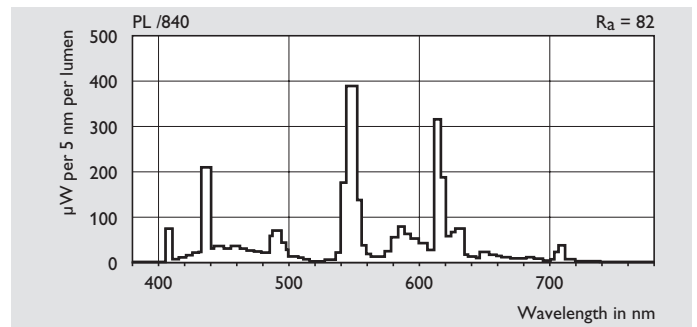
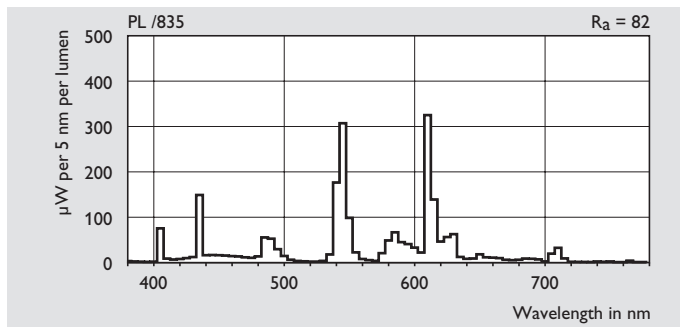
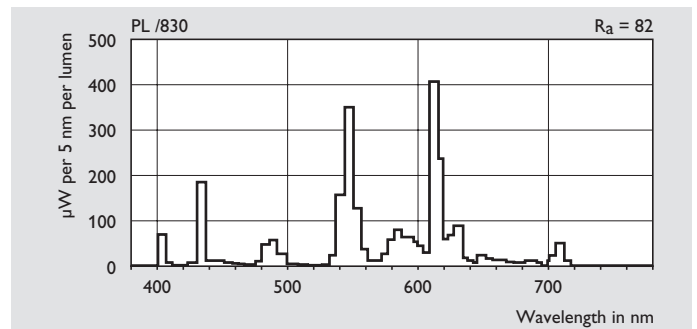
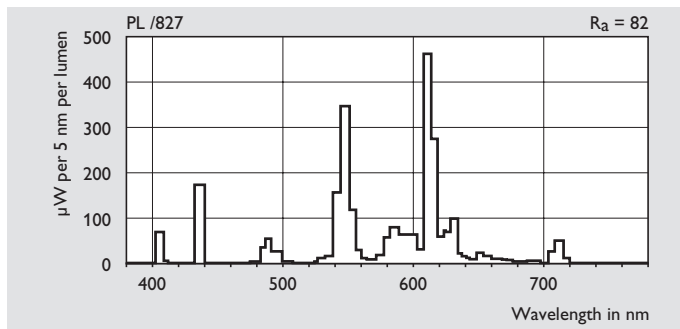
- General or supplementary lighting in professional environments.
- Recessed or surface-mounted downlighters and wall units.
- Outdoor lighting.



Dimensions in mm

Type	A max.	B max.	C max.
PL-T/4p 18W	77	102	117
PL-T/4p 26W	87	112	127
PL-T/4p 32W	102	127	142
PL-T/4p 42W	119	144	159

Type	Cap/ base	Lamp voltage	Lamp current	Lumen output	Efficacy	Correlated colour temp.	Chromat. coordinate	Chromat. coordinate	Colour designation	Lumen maint. 2000hrs	Lumen maint. 5000hrs	Nett weight	Ordering number
		V	mA	lm	lm/W	K	x	y		%	%	g	
/827													
PL-T/4P 18W	GX24Q-2	80	210	1200	73	2700	455	417	INCAND. LIGHT	90	80	68	9279 106 08200
PL-T/4P 26W	GX24Q-3	80	300	1800	75	2700	455	417	INCAND. LIGHT	90	80	74	9279 116 08200
PL-T/4P 32W	GX24Q-3	101	320	2400	75	2700	455	417	INCAND. LIGHT	90	80	82	9279 118 08200
PL-T/4P 42W	GX24Q-4	135	320	3200	75	2700	455	417	INCAND. LIGHT	90	80	91	9279 121 08200
/830													
PL-T/4P 18W	GX24Q-2	80	210	1200	73	3000	434	397	WARM WHITE	90	80	68	9279 106 08300
PL-T/4P 26W	GX24Q-3	80	300	1800	75	3000	434	397	WARM WHITE	90	80	74	9279 116 08300
PL-T/4P 32W	GX24Q-3	101	320	2400	75	3000	434	397	WARM WHITE	90	80	82	9279 118 08300
PL-T/4P 42W	GX24Q-4	135	320	3200	75	3000	434	397	WARM WHITE	90	80	91	9279 121 08300
/835													
PL-T/4P 18W	GX24Q-2	80	210	1200	73	3500	411	398	WHITE 3500	90	80	68	9279 106 83500
PL-T/4P 26W	GX24Q-3	80	300	1800	75	3500	411	398	WHITE 3500	90	80	74	9279 116 83500
PL-T/4P 32W	GX24Q-3	101	320	2400	75	3500	411	398	WHITE 3500	90	80	82	9279 118 83500
PL-T/4P 42W	GX24Q-4	135	320	3200	75	3500	411	398	WHITE 3500	90	80	91	9279 121 83500
/840													
PL-T/4P 18W	GX24Q-2	80	210	1200	73	4000	380	379	COOL WHITE	90	80	68	9279 106 08400
PL-T/4P 26W	GX24Q-3	80	300	1800	75	4000	380	379	COOL WHITE	90	80	74	9279 116 08400
PL-T/4P 32W	GX24Q-3	101	320	2400	75	4000	380	379	COOL WHITE	90	80	82	9279 118 08400
PL-T/4P 42W	GX24Q-4	135	320	3200	75	4000	380	379	COOL WHITE	90	80	91	9279 121 08400



Spectral power distributions