

# Special incandescent lamps

# Microprojection



7251C PX28s



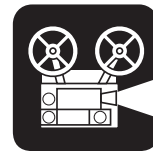
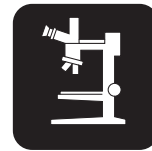
13347W BA15d

Microprojection lamps are lamps with precise pre-focusing to ensure maximum light control in a wide variety of audio-visual and other optical systems and products. Manufactured by advanced techniques to rigid quality-control standards for reliable operation.

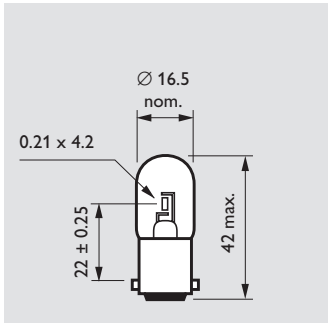
Special bases for different lamp types prevent incorrect use. The burning positions of the various microprojection lamps are universal, horizontal, or one of several base down or base up orientations.

### Applications

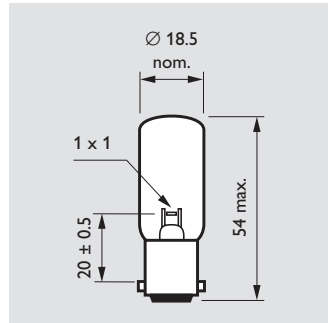
- Sound film projectors
- Microscope illumination
- Scientific instruments
- Precision balances
- Optical equipment for industry and laboratory
- Photo-electric control devices
- Ophthalmic equipment



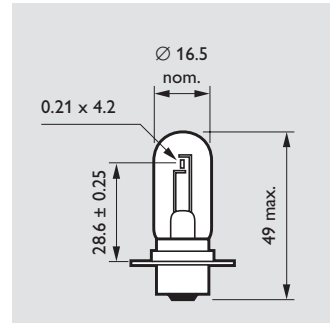
Dimensions in mm



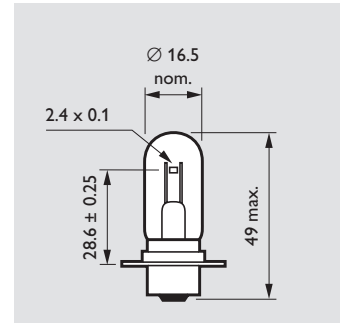
6142N BA15s



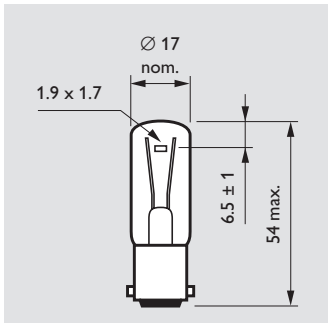
399N BA15s



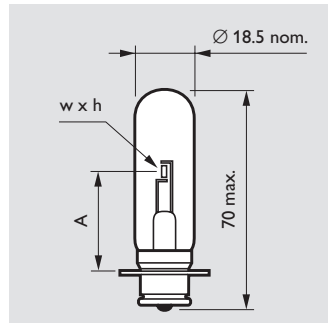
7210C P30s



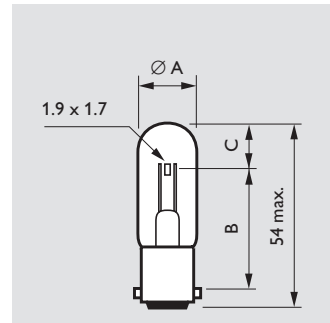
7253C P30s



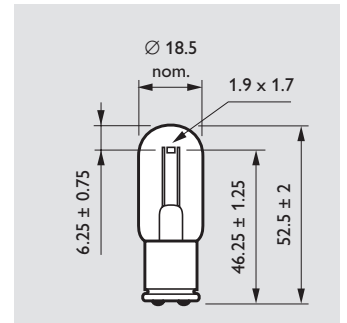
13347W BA15d



Type	A	w x h
Cap/base PX28s		
3874C	31.5±0.20.	5 x 3.3
7251C	31.5±0.5	0.6 x 6.5



Type	A	B	C
Cap/base BA15d			
GB1200W	16.5	N.A.	6.5±1.0
GB1201W	17.0	35.0±1.0	N.A.



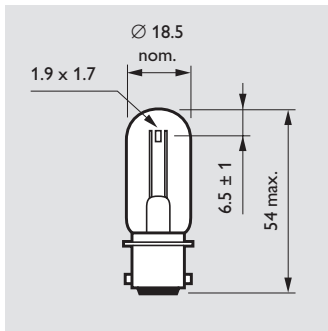
15W 6V S15d



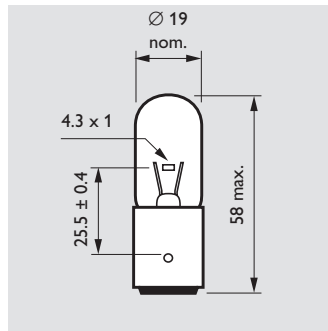
**PHILIPS**

# Special incandescent lamps

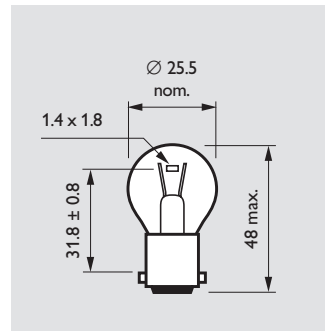
# Microprojection



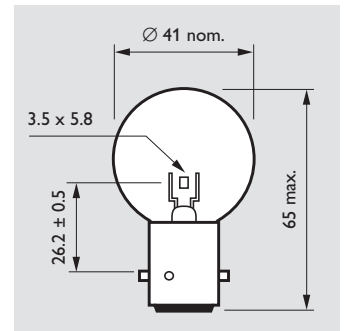
13347C 13702C PX22d



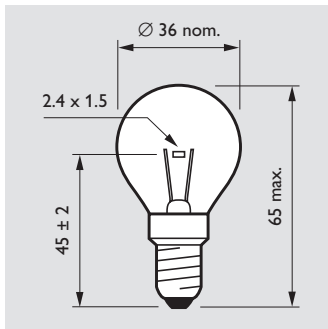
6112C PY20s



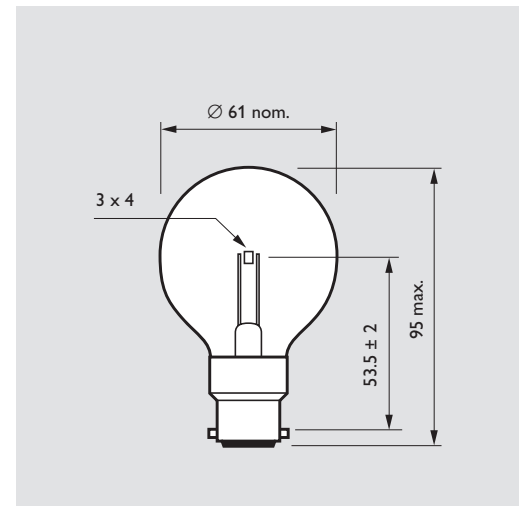
13353N BA15s



6144F BA21d



6106M E14



13105B B22d

Dimensions in mm

Type	A/W	V	Cap/ base	LIF code	Lumen output  lm	Burning position	Average lamp life h	Ordering number
<b>0.75A</b>								
7253C	0.75A	4V	P30S	G/29	30	UNIVERSAL	50	9224 410 06300
<b>1.48A</b>								
3874C	1.48A	6.5V	PX28S	G/35	117	P-90+45	500	9224 440 11600
<b>1A</b>								
6142N	1A	6V	BA15S	G/4	77	UNIVERSAL	100	9224 422 10100
7210C	1A	6V	P30S	G/5	74	S45	100	9224 424 10100
<b>0.5A</b>								
399N	0.5A	12V	BA15S	NA	78	S30	100	9224 253 17100
<b>4A</b>								
7251C	4A	5V	PX28S	G/41	260	P-90+45	1000	9224 470 08200
13353N	4A	5V	BA15S	NA	300	H45	100	9224 567 08200
<b>5A</b>								
6106M	5A	6V	E14	F/74	490	S135	100	9224 497 10100
6112C	5A	6V	PY20S	NA	525	S30	100	9224 514 10100
<b>8A</b>								
6144F	8A	16V	BA21D	NA	3450	S15	25	9222 520 18700
<b>15W</b>								
-	15W	6V	S15D	NA	210	H135	100	9224 583 10100
13347W	15W	6V	BA15D	M/20	210	H135	100	9224 570 10100
13347C	15W	6V	PX22D		210	H135	100	9224 573 10100
13702C	15W	6V	PX22D		218	H135	100	9224 577 10100
GB1200W	15W	6V	BA15D	NA	210	H135	100	9224 595 10100
GB1201W	15W	6V	NA15D	NA	218	H135	100	9224 596 10100
<b>100W</b>								
13105B	100W	6V	B22D	F/40	1950	H135	100	9222 060 10100