

# Special halogen lamps

# Microfilm



13122, 13528, 13529, 13711

These are low-voltage quartz halogen lamps with an internal reflector for use in microfilm and microfiche projectors. The glass reflectors of these lamps have a dichroic coating which reflects the light forward, but radiates about 75% of the generated heat backwards and thus away from the microfiche/film.

The halogen burner is precisely aligned using an optical system so that, when the lamp is replaced, no realignment is necessary. These lamps also offer the familiar advantages of all halogen lamps: negligible light output depreciation and high efficacy (thus low energy consumption).

## Applications

Microfiche readers and projectors, microfiche readers and printers and jacket fillers (all also in combination with information retrieval systems), as well as in, for example, medical equipment. Some types are nowadays also used in light boxes for lighting with fibres.



13124



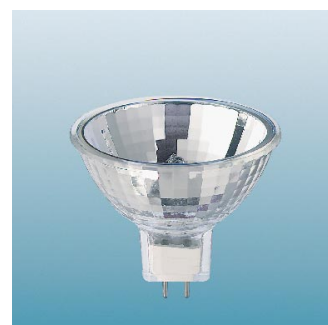
13125, 13131



13137, 13155, 13189, 13194



13158



13160

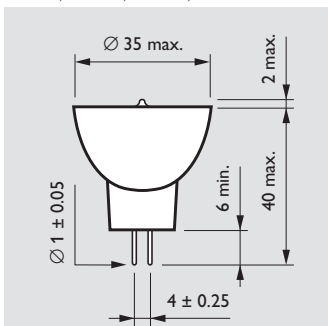
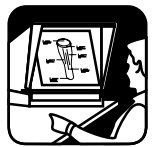


Fig. 1

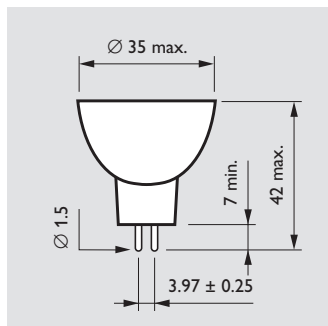


Fig. 2

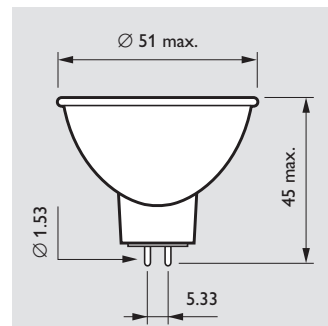


Fig. 3

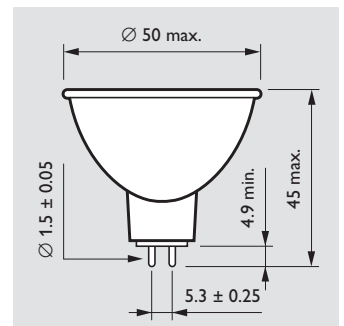


Fig. 4

Dimensions in mm



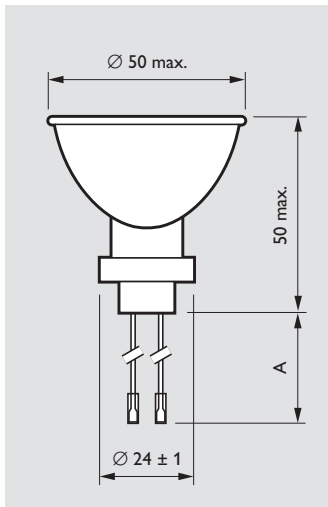
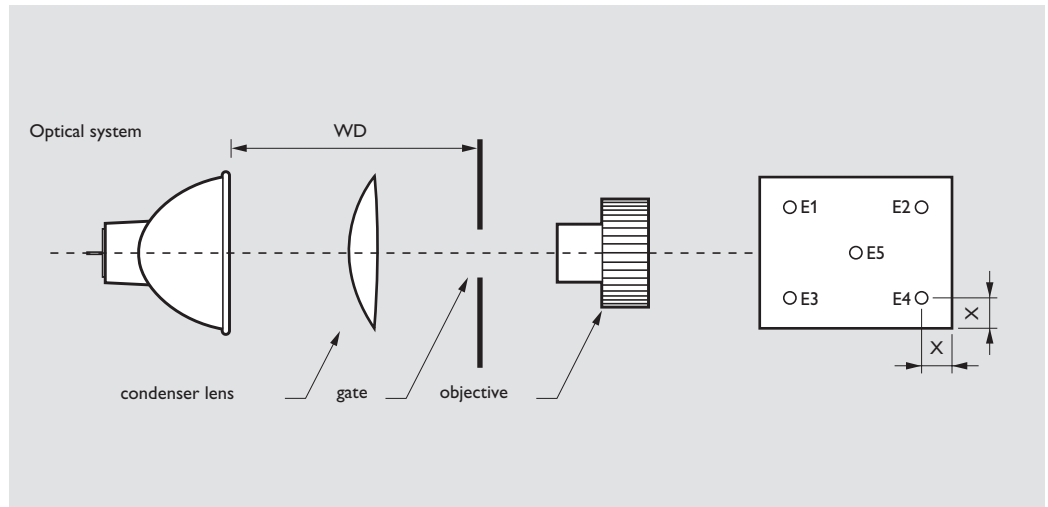


Fig. 5 Dimensions in mm

Type	A
Cap/base Special/ceramic	
13125	190.0±5.0
13131	75.0±5.0



Optical system

Type Philips	Type ANSI	WD mm	Diameter gate mm	Condensor f mm	Objective f mm	Screen size mm	X mm	Min.center intensity lx	Emin/Emax %
<b>35 mm types</b>									
13124	FKY	108.0	9.4 round	60.0	17.0	279x356	40.0	170.0	50.0
13529	-	108.0	9.4 round	60.0	17.0	279x356	40.0	170.0	50.
13528	-	92.0	18.0 round	42.0	20.0	279x356	40.0	700.0	20.0
13122	FKZ	92.0	18.0 round	42.0	20.0	279x356	40.0	1100.0	25.0
13711	FLT	155.0	9.7 round	53.0	15.0	279x356	40.0	400.0	50.0
<b>50 mm types</b>									
13137	FHX	108.0	9.4 round	60.0	17.0	279x356	40.0	400.0	60.0
13155	FJX	108.0	9.4 round	60.0	17.0	279x356	40.0	330.0	50.0
13125	GJT	108.0	9.4 round	60.0	17.0	279x356	40.0	380.0	70.0
13189	EPZ/DJT	108.0	9.4 round	60.0	17.0	279x356	40.0	380.0	70.0
13160	DDS	165.0	9.4 round	yes	50.0	279x356	32.5	250.0	80.0
13131	GED	165.0	16.0 round	60.0	29.0	279x356	40.0	950.0	75.0
13194	DED	165.0	16.0 round	60.0	29.0	279x356	40.0	1000.0	75.0
13158	ELD/EJN	50.8	12.0 round	yes	50.0	1113x835	58.0	780.0	20.0

Type	V	W	Cap/base	ANSI code	LIF code	Fig.	Correlated colour temperature	Colour rendering index	Burning position	Lamp life 50% h	Maximum permissible base/pinch temperature degr.C	Maximum permissible bulb temperature degr.C	Ordering number
13124	6V	9W	G3.9	FKY	-	2	3000	100	S105	250	400	900	9238 997 10100
13529	6V	9W	GZ4	-	-	1	3000	100	S105	250	400	900	9238 961 10100
13528	6V	15W	GZ4	-	-	1	2900	100	S105	750	350	900	9238 838 10100
13122	13.8V	25W	GZ4	FKZ	-	1	3100	100	S105	250	400	900	9239 194 18200
13137	13.8V	25W	GX5.3	FHX	-	4	3100	100	S105	250	400	900	9239 162 18200
13711	13.8V	25W	GZ4	FLT	-	1	3100	100	S105	250	400	900	9239 262 18200
13155	13.8V	30W	GX5.3	FJX	-	4	3150	100	S105	500	350	900	9238 935 18200
13125	13.8V	50W	SPECIAL/CERAMIC	GJT	-	5	3150	100	S105	1000	350	900	9239 195 18200
13189	13.8V	50W	GX5.3	EPZ/DJT	-	4	3150	100	S105	1000	350	900	9238 835 18200
13160	21V	80W	GX5.3	DDS	-	3	3150	100	S90	500	350	900	9239 212 19800
13131	13.8V	85W	SPECIAL/CERAMIC	GED	-	5	3150	100	S105	1000	350	900	9239 193 18200
13194	13.8V	85W	GX5.3	DED	-	4	3150	100	S105	1000	350	900	9238 836 18200
13158	21V	150W	GX5.3	ELD/EJN	-	3	3400	100	S90	40	400	900	9239 213 19800