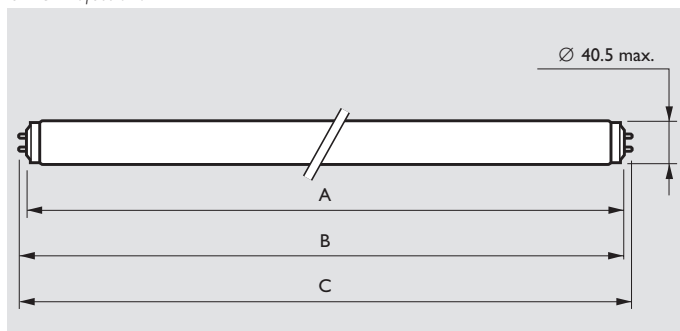


Special fluorescent lamps

CLEO Professional



CLEO Professional



Dimensions in mm

Type	A max.	B min.	B max.	C max.
CLEO Professional 80W (-R)	1500.0	1504.7	1507.1	1514.2
CLEO Professional 100W (-R)	1763.8	1768.5	1770.9	1778.0
CLEO Professional 140W (-R) (-S-R)	1500.0	1504.7	1507.1	1454.2
CLEO Professional 160W (-R) (-S-R)	1763.0	1768.5	1770.9	1778.0

Low-pressure mercury vapour fluorescent lamps emitting long-wave UV radiation between 300 and 400 nm for tanning and other applications. All CLEO Professional lamps have gold-coloured caps. The UV-B/UV-A ratio is 1.4% (UV-B: 280-315 nm). The UV-B/UV-A ratio is 2.6% (UV-B: 280-320 nm). CLEO Professional-R lamps have an internal reflector of 200 degs. CLEO Professional-S-R lamps have an UV-B/UV-A ratio of 1.6%.

Starter

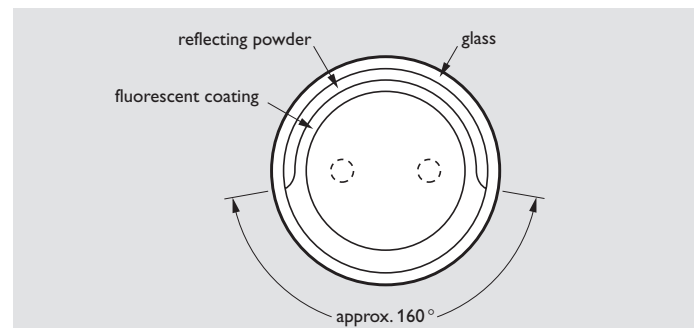
To ignite a tanning lamp the S11 starter is recommended for tanning lamps with a lamp power of 80 W or 100 W. For tanning lamps with a lamp power of 140 W or 160 W the use of an S12 starter is recommended.

Warning

UV radiation, like solar radiation, can cause eye and skin injury if the appropriate safety measures are not observed. Always follow the manufacturer's instructions carefully when using any tanning product or system. When replacing tanning lamps in existing equipment, always adjust the tanning times according to the equipment manufacturer's instructions for the new lamp type.

Applications

- Cosmetic tanning in professional surroundings.



Cross-section-R version

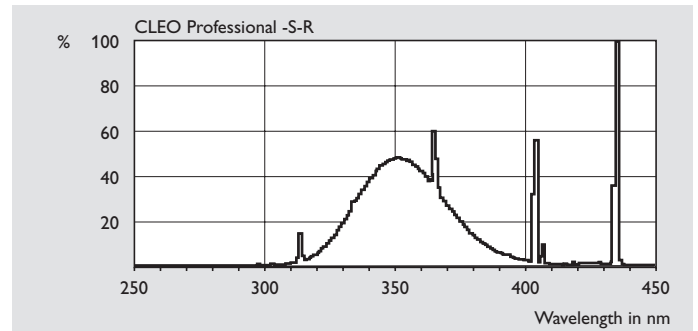
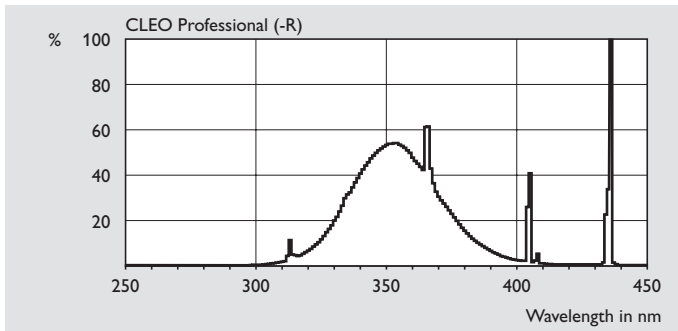
Type	Cap/ base	Lamp voltage V	Lamp current A	UV-A radiation ¹⁾ W	Erythral radiation ¹⁾ ≤ 320 nm mW	Erythral radiation ¹⁾ > 320 nm mW	Depreciation ²⁾ at 500 hrs %	Nett weight g	
PROFESSIONAL									
CLEO Professional 80W	G13	110	0.83	18	32.76	14.04	10	360	9280 032 10900
CLEO Professional 80W -R	G13	110	0.83	16	29.12	12.48	20	360	9280 047 10900
CLEO Professional 100W	G13	122	0.97	25	45.50	19.50	15	410	9280 043 10900
CLEO Professional 100W -R	G13	122	0.97	21	38.22	16.38	20	410	9280 057 10900
CLEO Professional 140W	G13	118	1.46	30	54.60	23.40	25	360	9280 129 10900
CLEO Professional 140W -R	G13	118	1.46	28	50.96	21.84	25	360	9280 130 10900
CLEO Professional 140W -S-R	G13	118	1.46	33	51.61	24.28	15	410	9280 132 00900
CLEO Professional 160W	G13	116	1.61	34	61.88	26.52	25	410	9280 080 10900
CLEO Professional 160W -R	G13	116	1.61	31	56.42	24.18	25	410	9280 081 10900
CLEO Professional 160W -S-R	G13	116	1.61	37	57.87	27.23	15	410	9280 079 10900

¹⁾ Average value at 100 hrs

²⁾ Related to 100 hrs value



PHILIPS



Spectral power distributions