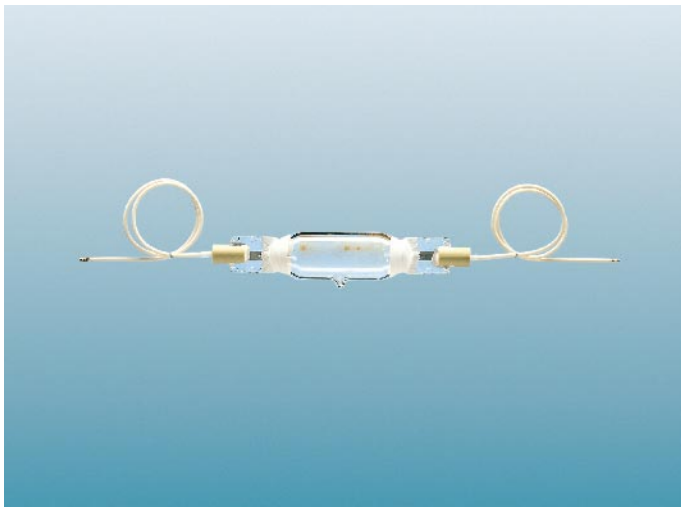
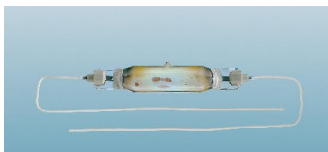


Special H.I.D. lamps

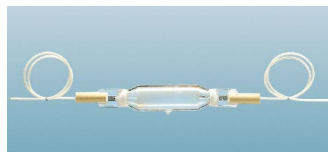
High-power HPA



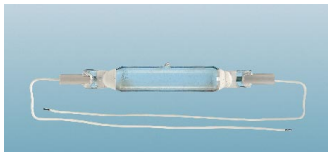
HPA 1200 S



HPA 1000



HPA 2020 S



HPA 2030 S



HPA 806 S

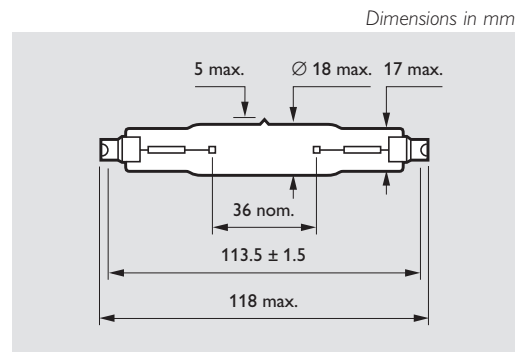
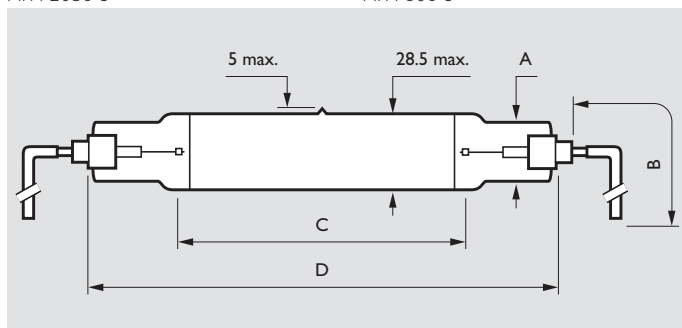
Double-ended medium pressure metal halide radiators with iron and cobalt additives, emitting ozone-free radiation mainly between 300 and 400 nm. They require a ballast and an ignitor. Their run-up time is four minutes and they need a few minutes of cooling down before re-ignition. Since HPA lamps also emit UV-B and UV-C, a suitable filter should be used. High power HPA lamps require forced cooling for proper functioning, particularly when used in enclosed equipment. Burning position: horizontal +/- 10 degrees.

Warning

UV radiation, like solar radiation, can cause eye and skin injury if the appropriate safety measures are not observed. Always follow the manufacturer's instructions carefully when using any tanning product or system. When replacing tanning lamps in existing equipment, always adjust the tanning times according to the equipment manufacturer's instructions for the new lamp type.

Applications

- Suntanning

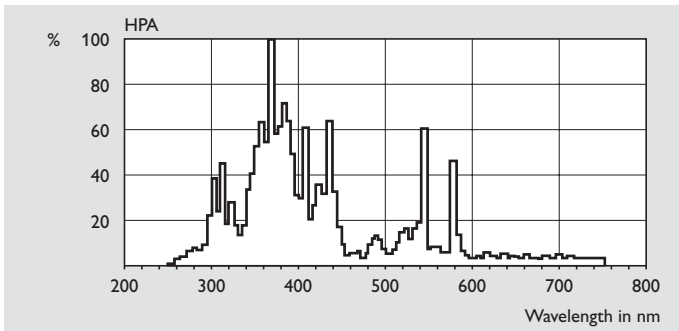


HPA 806 S RX7s

Type	A max.	B	C nom.	D
Cap/base cap/cable				
HPA 1000	22.0	315.0±5.0	83.0	147.0±2.0
HPA 1200 S	22.5	315.0±5.0	56.0	139.0±2.0
HPA 2000 S	22.0	375.0±5.0	105.0	177.0±2.0
Cap/base C10.5 + cable				
HPA 2020 S	22.0	350.0±5.0	83.0	185.0±3.0
HPA 2030 S	22.0	325.0±2.0	105.0	217.0±2.0

Type	Cap/ base	Minimum ignition supply voltage V	Lamp wattage W	Lamp current A	UV-A irr. uW/cm2	UV-B irr. max. uW/cm2	UV-C irr. max. uW/cm2	Erythemat irr. < 320 nm mW/m2	Erythemat irr. > 320 nm mW/m2	Ratio FDA3/ FDA2	Lamp life 50% h	Maximum permiss. base/pinch temp. degr.C	Maximum permiss. bulb temp. degr.C	Nett weight g	Ordering number
HIGH POWER HPA LAMPS															
HPA 1000	CAP/CABLE	198	930.0	8.00	1800	550	200	3100	12.7	3	750	350	950	49.0	9280 753 05100
HPA 1200 S	CAP/CABLE	210	1225.0	10.00	2500	550	300	4580	18.0	3	750	350	950	49.0	9280 790 06000
HPA 2000 S	CAP/CABLE	350	1920.0	8.50	4200	950	400	7000	28.4	3	750	350	950	60.0	9280 789 06000
HPA 2020 S	C10.5+CABLE	350	1920.0	8.50	4100	950	400	6340	28.6	3	750	350	950	48.0	9280 563 06000
HPA 2030 S	C10.5+CABLE	350	1920.0	8.50	4200	950	400	7000	28.4	3	750	350	950	63.0	9280 557 06000
HPA 806 S	RX7S	198	840.0	7.20	1600	600	240	2660	11.8	3	750	350	950	19.5	9280 572 06000





Spectral power distribution

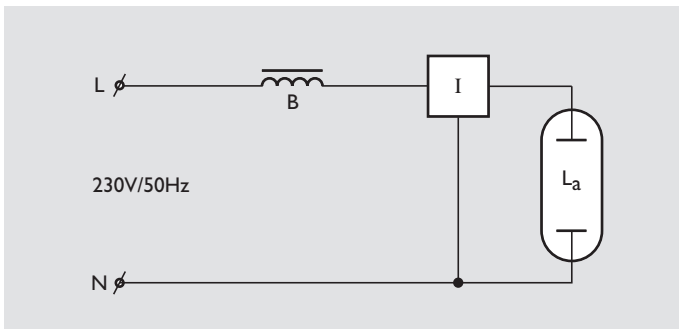


Fig.1

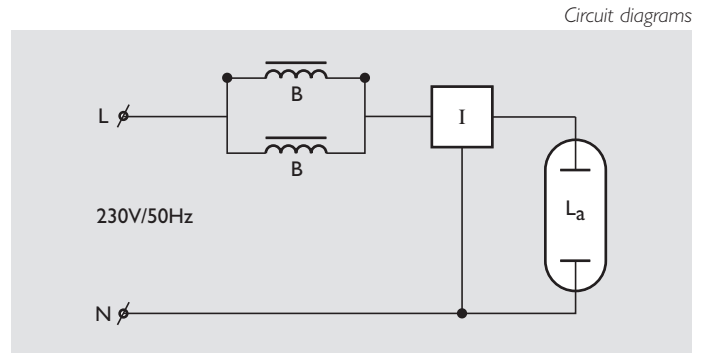


Fig.2

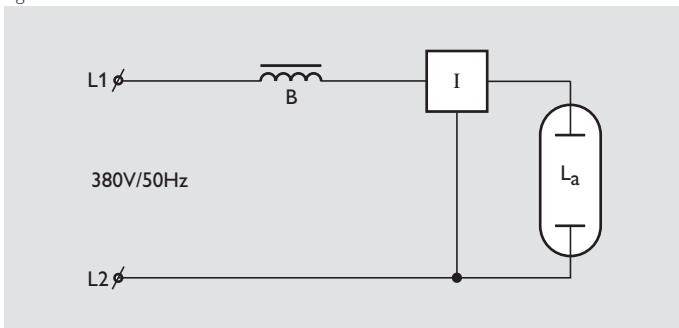


Fig.3

Lamp	Ballast Type	Ordering no.	Ignitor Type	Fig.
HPA 806 S	2 x BHA 400 L33	9136 049 604..	MZN 1000S Bag Turgi	2
HPA 1000	BHL 1000 L65	9136 060 104..	SE 12 Bag Turgi	1
			ZGV10 SE600 May and Criste	
HPA 1200 S	BHL 1000 L65	9136 060 104..	MZN 1000S Bag Turgi	2
	BHL 250 L40	9136 039 204..		
HPA 2000 S	BHL 2000 L18	9136 070 089..	380 MZN 4000 Bag Turgi	3
			380 SE 20/380 SE 12 Bag Turgi	
			ZGV10 SE600 May and Criste	
HPA 2020 S	BHL 2000 L18	9136 070 089..	380 MZN 4000 Bag Turgi	3
			380 SE 20/380 SE 12 Bag Turgi	
			ZGV10 SE600 May and Criste	
HPA 2030 S	BHL 2000 L18	9136 070 089..	380 MZN 4000 Bag Turgi	3
			380 SE 20/380 SE 12 Bag Turgi	
			ZGV10 SE600 May and Criste	