

# Special H.I.D. lamps

# Single-ended HPA



HPA 400 SE

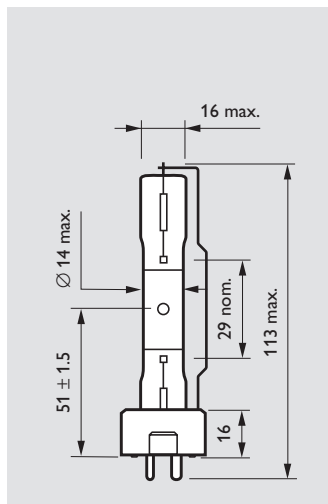


HPA 1000 SE

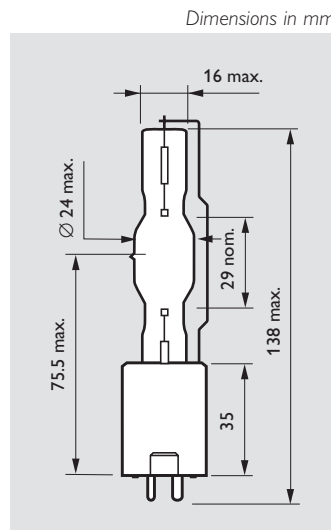
Single-ended medium-pressure metal halide radiators with iron and cobalt additives, emitting ozone-free radiation mainly between 300 and 400 nm. They require a ballast and an ignitor. Their run-up time is four minutes and they need a few minutes of cooling down before re-ignition. HPA lamps require forced cooling for proper functioning, particularly when used in enclosed equipment. Burning position: HPA 400 SE universal. HPA 1000 SE: horizontal  $\pm 10^\circ$ .

**Warning**  
UV radiation, like solar radiation, can cause eye and skin injury if the appropriate safety measures are not observed. Always follow the manufacturer's instructions carefully when using any tanning product or system. When replacing tanning lamps in existing equipment, always adjust the tanning times according to the equipment manufacturer's instructions for the new lamp type.

**Applications**  
- Suntanning

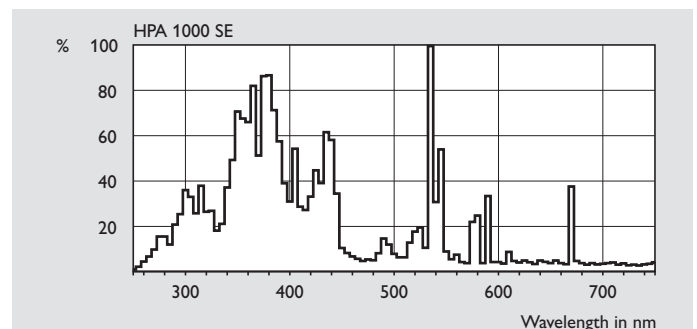


HPA 400 SE GY9.5



HPA 1000 SE GQ9.5/37

Dimensions in mm



Spectral power distribution

Type	Cap/ base	Minimum ignition supply voltage V	Lamp wattage W	Lamp current A	UV-A irradi. uW/cm <sup>2</sup>	UV-B irradi. uW/cm <sup>2</sup>	UV-C irradi. uW/cm <sup>2</sup>	Erythemat irradi. <320 nm mW/cm <sup>2</sup>	Erythemat irradi. <320 nm mW/cm <sup>2</sup>	Ratio FDA3/ FDA2	Lamp life	Maximum permissible pinch temp. degr. C	Maximum permissible bulb temp. degr. C	Nett weight g	Ordering number
HPA 400 SE	GY9.5	198	400	3.7	700	120	10	470	4.80	3	500	350	950	20.00	9280 571 06000
HPA 1000 SE	SEGQ9.5/37	198	1000	8.5	1900	600	200	3100	12.70	3	500	350	900	47.50	9280 550 06000

